



# NEW POSSIBILITIES WITH OUR NEW HEX FETE

---

## Baytex Fete

Extremely versatile: as a stand-alone it gives 23sqm of area, linking it together with additional hexes will give you a multitude of layout opportunities or set a 3x3m Fete alongside for visual interest or central connection.

SIMPLICITY · PERFORMANCE · STYLE



## Keeping you covered and adding style

### Image Projection

The Fete is excellent for use as a promotional canopy. Project your innovative image, unique logo and identity to the public with this strong, waterproof and wind resistant marquee.

### Fabric

All Baytex Marquees have a high tech lacquer surface coating for a smooth, glossy, dirt resistant finish. Fire retardant fabric specially treated to prevent moisture wicking. Choice of either translucent or blackout PVC in white or a choice of colours. High frequency welded for optimum strength, fabricated in NZ.

### Tensioning System

Anodised alloy rail components for light weight strength and durability. High quality electro galvanised steel connectors ensure long lasting, clean appearance. Premium NZ sourced.

### Simple Set Up

Maximum use of space has been achieved by mounting the centre pole on a set of internal cross wires making the Fete quick and easy to erect and dismantle. Toggled wall attachments make easy installation - walls slide back like a curtain.



### Easy to Clean

The PVC surface can be readily cleaned with a non-bleach mild detergent or Baytex 'Sliktop'.

### Manufacturing

CAD designed and computer cut for dimensional accuracy. Manufactured onsite at Baytex as for the last 40 years.

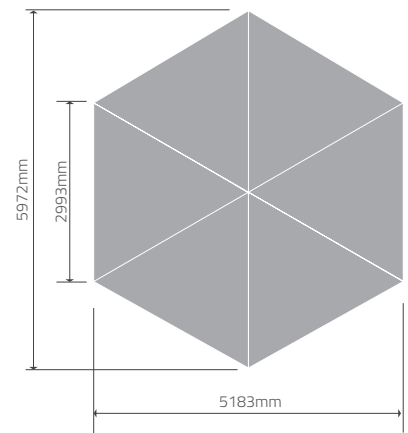
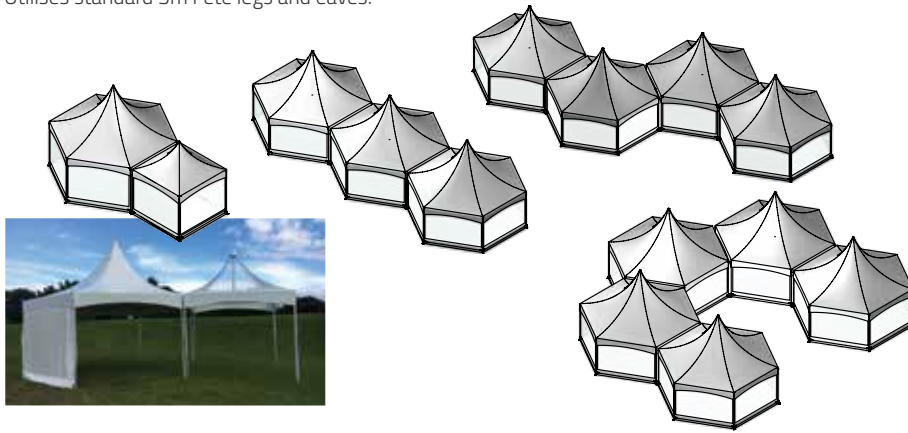
## Specifications

The Baytex Hex Fete has a total area of 23sqm.

All Fetes are supplied with all hardware, PVC roof, PVC walling, pegs, storm guys, roof bag, wall bag, storage bin.

### Hex Fete

3m sides (one peak): 23 sqm - capacity 34 people | longest length 3m  
Utilises standard 3m Fete legs and eaves.



## Marquee Options

All Fetes come with plain walling, but you can choose clear walling for extra light.



Plain Walls



Clear Walls



Fibretech Doors



Branding



Accessories



Gutter to join two marquees



PVC in a wide range of colours



### New Zealand

52 Newton Street,  
PO Box 4370, Mount Maunganui  
New Zealand

tel +64 7 579 0190  
info@baytex.co.nz  
www.baytex.co.nz

### Australia

tel 1800 766 661  
info@baytex.com.au  
www.baytex.com.au

