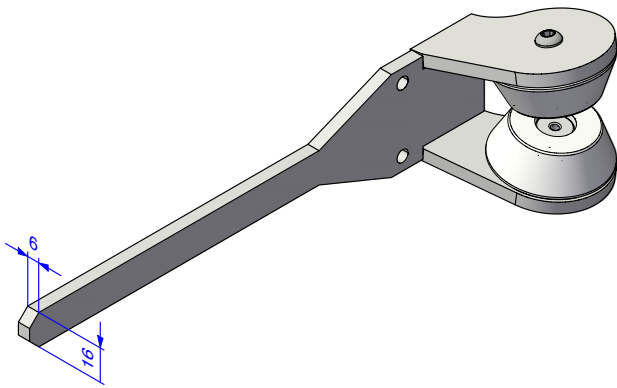


Baytex have now made it even easier to install our Clipframe and Alispan with our Baytex Keder Feeder. using the Keder Feeder means an increased ease and speed of installation and a notable decrease in the wear and tear on the marquee keder.

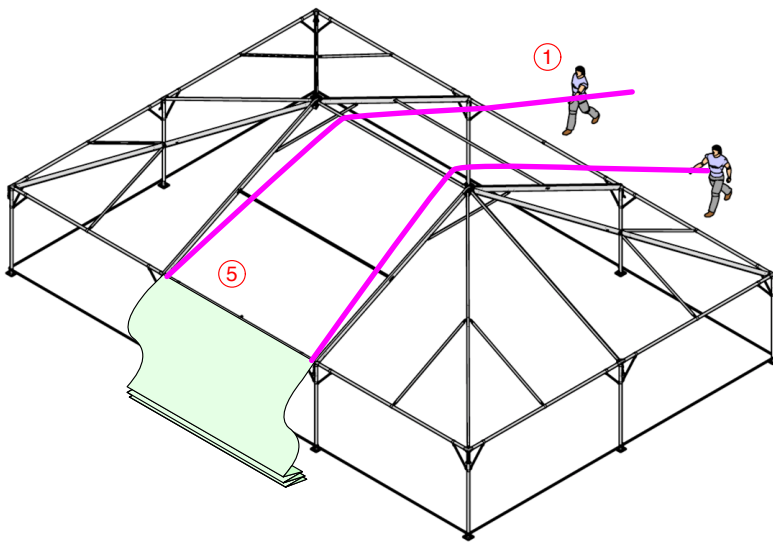


**Keder Feeder - Clipframe**

for use in Baytex Clipframe Mk2 and TS  
50mm x 127mm Channel Tube  
50mm x 66mm Channel Tube Lite  
50mm x 83mm 4 Track Lite

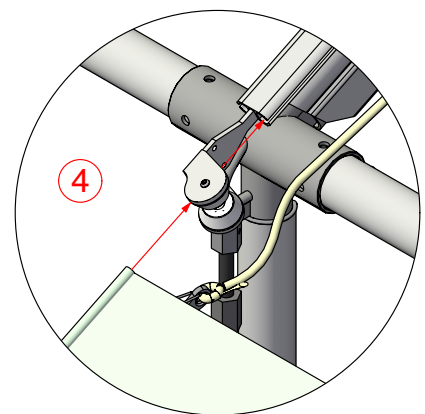
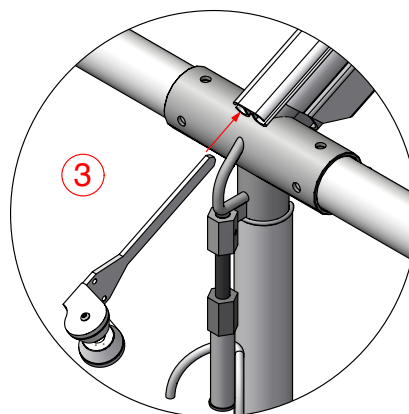
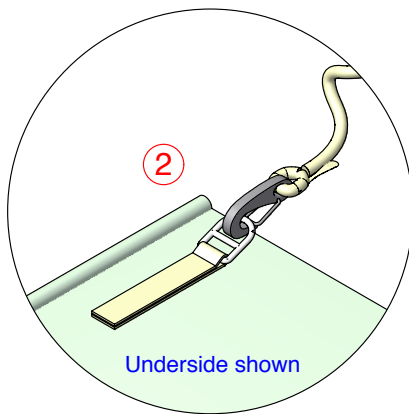
**Keder Feeder - Alispan**

for use in Baytex Alispan  
69mm x 187mm Beam



**Instructions**

- Throw pull over ropes across
- Attach pull over ropes to Roof 'D'
- Fit Keder Feeders
- Engage Keder in Rafter Extrusion - feed through Keder Feeder
- Pull Panel Evenly



# Keder Feeder Instructions

SIMPLICITY · PERFORMANCE · STYLE

