

FETE & SPRINGTOP

Lining Instructions



SIMPLICITY · PERFORMANCE · STYLE

New Zealand

52 Newton Street,
PO Box 4370, Mount Maunganui
New Zealand

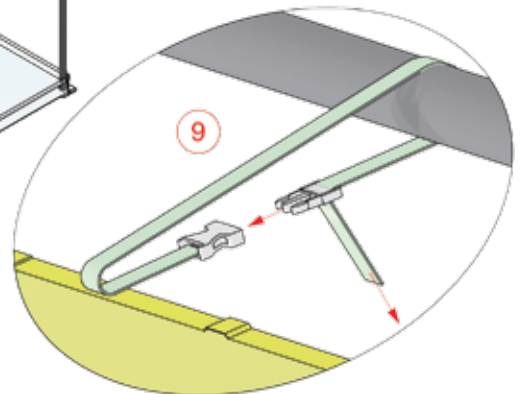
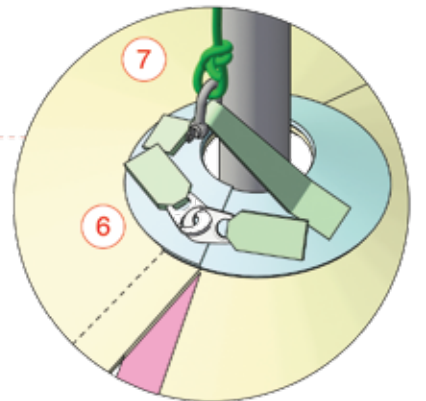
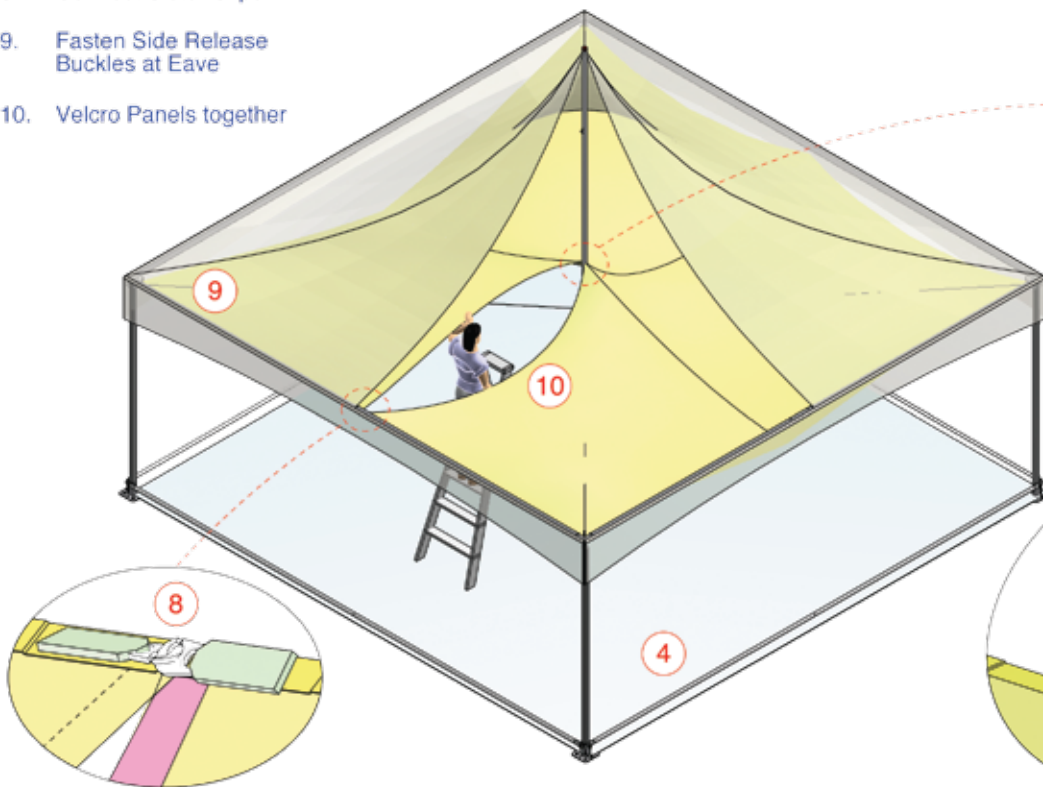
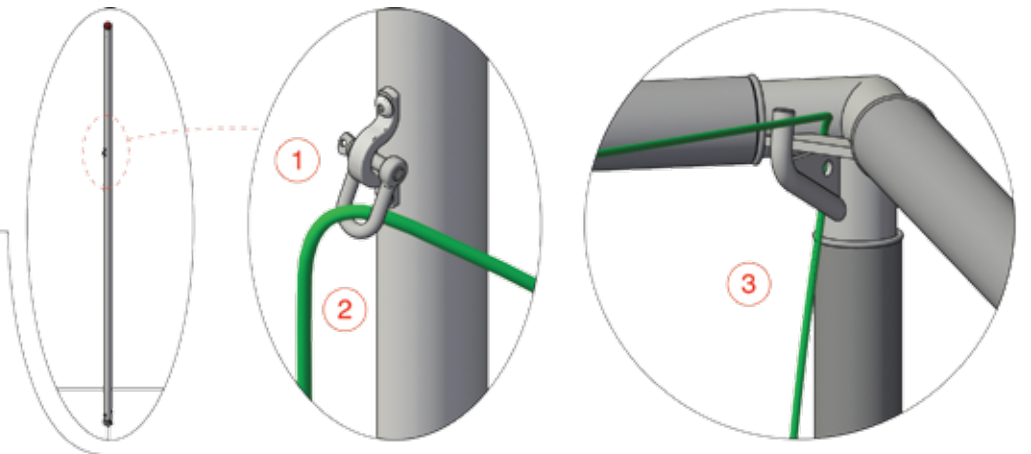
tel +64 7 579 0190
fax +64 7 579 0194
www.baytex.co.nz

Australia

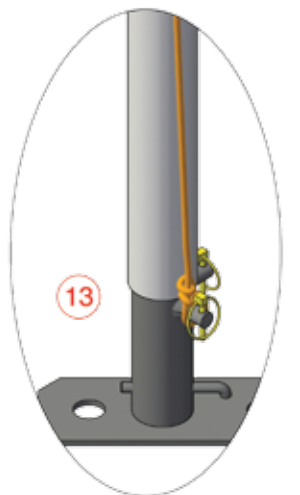
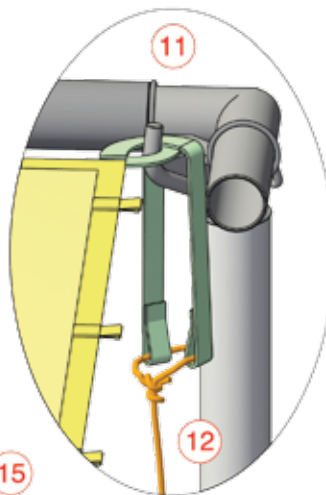
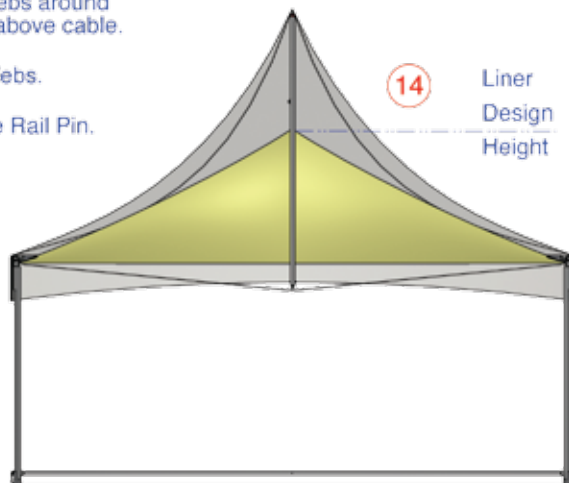
tel 02 4340 4144
mob 0400 312 314

Fete Lining Installation

1. Attach Shackle to Centre Pole Saddle.
2. Thread Halyard Cord through Shackle on Centre Pole.
3. Thread Halyard Cord through Corner Fitting.
4. Layout Ground Cover
5. Lift Liner over Wires
6. Fasten Liner Apex Sister Clips around Centre Pole
7. Fasten Halyard to Liner Apex Web
8. Connect Sister Clips
9. Fasten Side Release Buckles at Eave
10. Velcro Panels together



11. Pass Liner Corner Webs around Corner Fitting Hook, above cable.
12. Tie Cord to Corner Webs.
13. Tension Cord to Base Rail Pin.
14. Raise Liner to Finished Height. - use Halyard Cord.
15. Tie off Halyard Cord to Base Pin.



Springtop Lining Installation

1 Attach Pole Bridle to Centre Pole top before Tent Roof PVC Install.

2 Fasten Velcro around Pole.

**Erect & Tension
Main Tent Fabric**

3 Thread Halyard Cord through -
A - Bridle Dee.
B - Corner Fitting.

4 Layout Ground Cover

5 Lift Liner over Wires

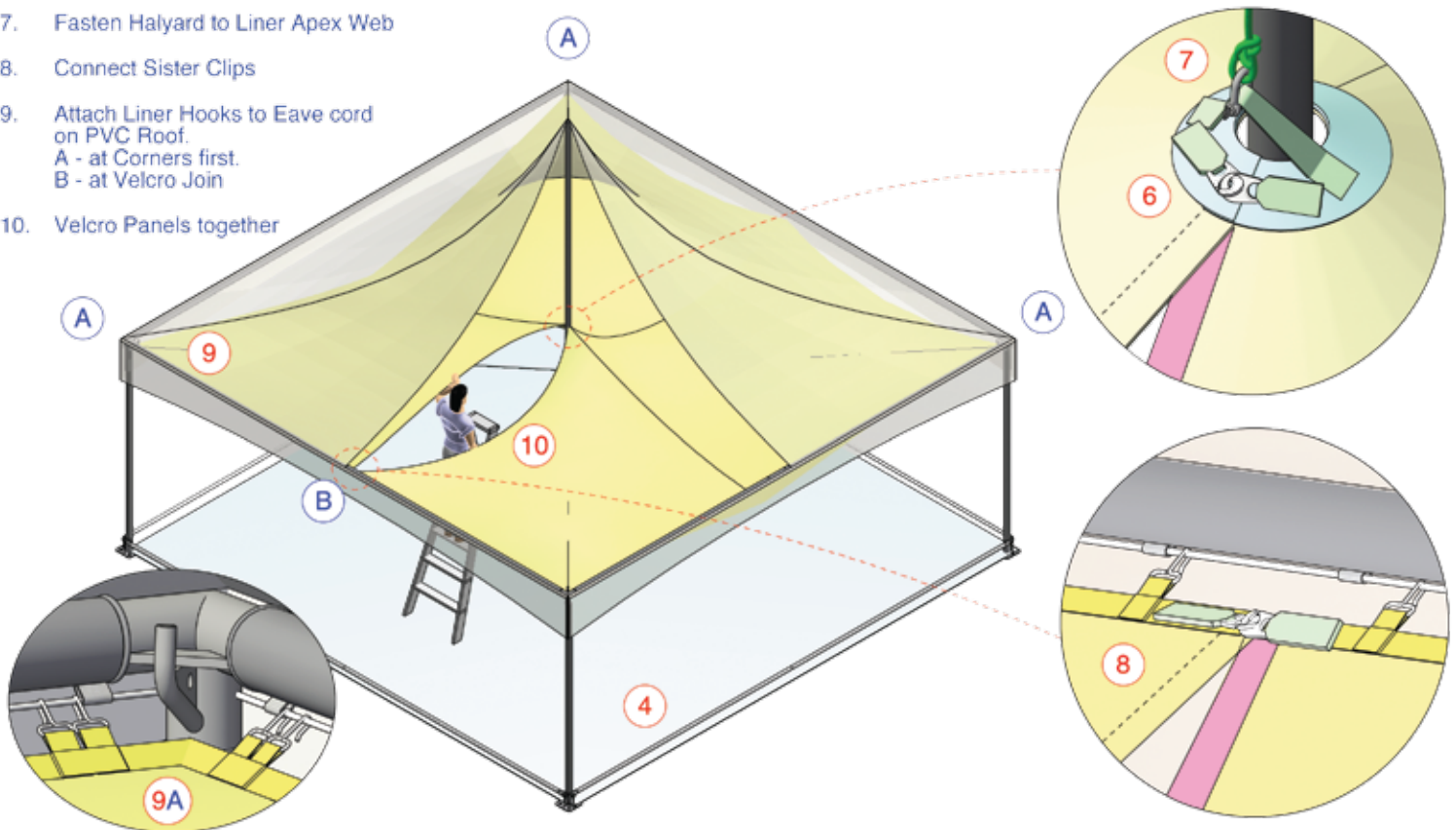
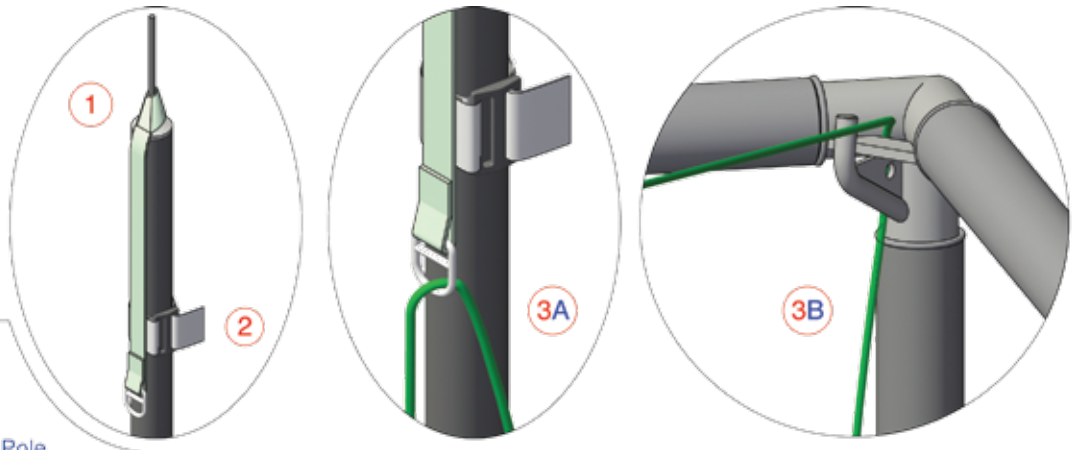
6 Fasten Liner Apex around Centre Pole

7 Fasten Halyard to Liner Apex Web

8 Connect Sister Clips

9 Attach Liner Hooks to Eave cord
on PVC Roof.
A - at Corners first.
B - at Velcro Join

10 Velcro Panels together



11 Attach All Remaining Hooks to Eave Cord.

12 Raise Liner to Finished Height.

13 Tie off Halyard Cord to Base Pin.

