

# ELECTRON

## Lining Instructions

---



SIMPLICITY · PERFORMANCE · STYLE

---

### New Zealand

52 Newton Street,  
PO Box 4370, Mount Maunganui  
New Zealand

tel +64 7 579 0190  
fax +64 7 579 0194  
[www.baytex.co.nz](http://www.baytex.co.nz)

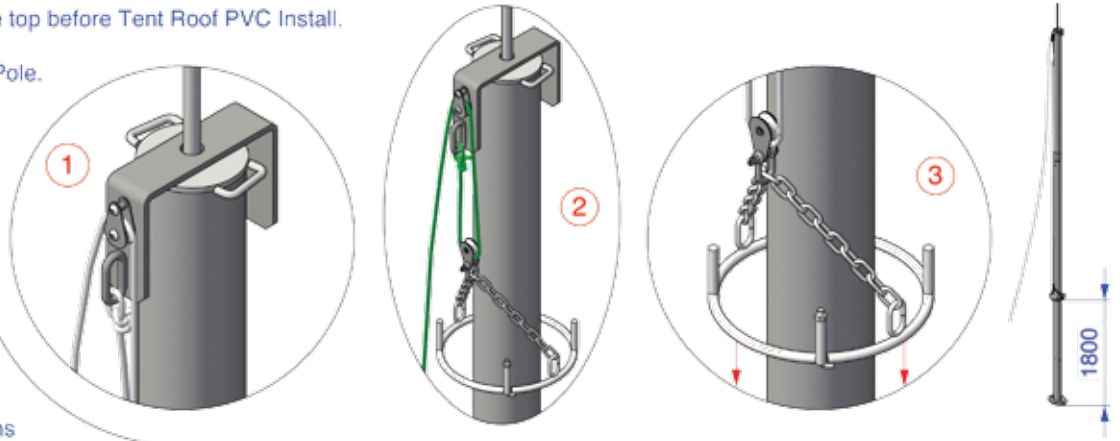
### Australia

tel 02 4340 4144  
mob 0400 312 314

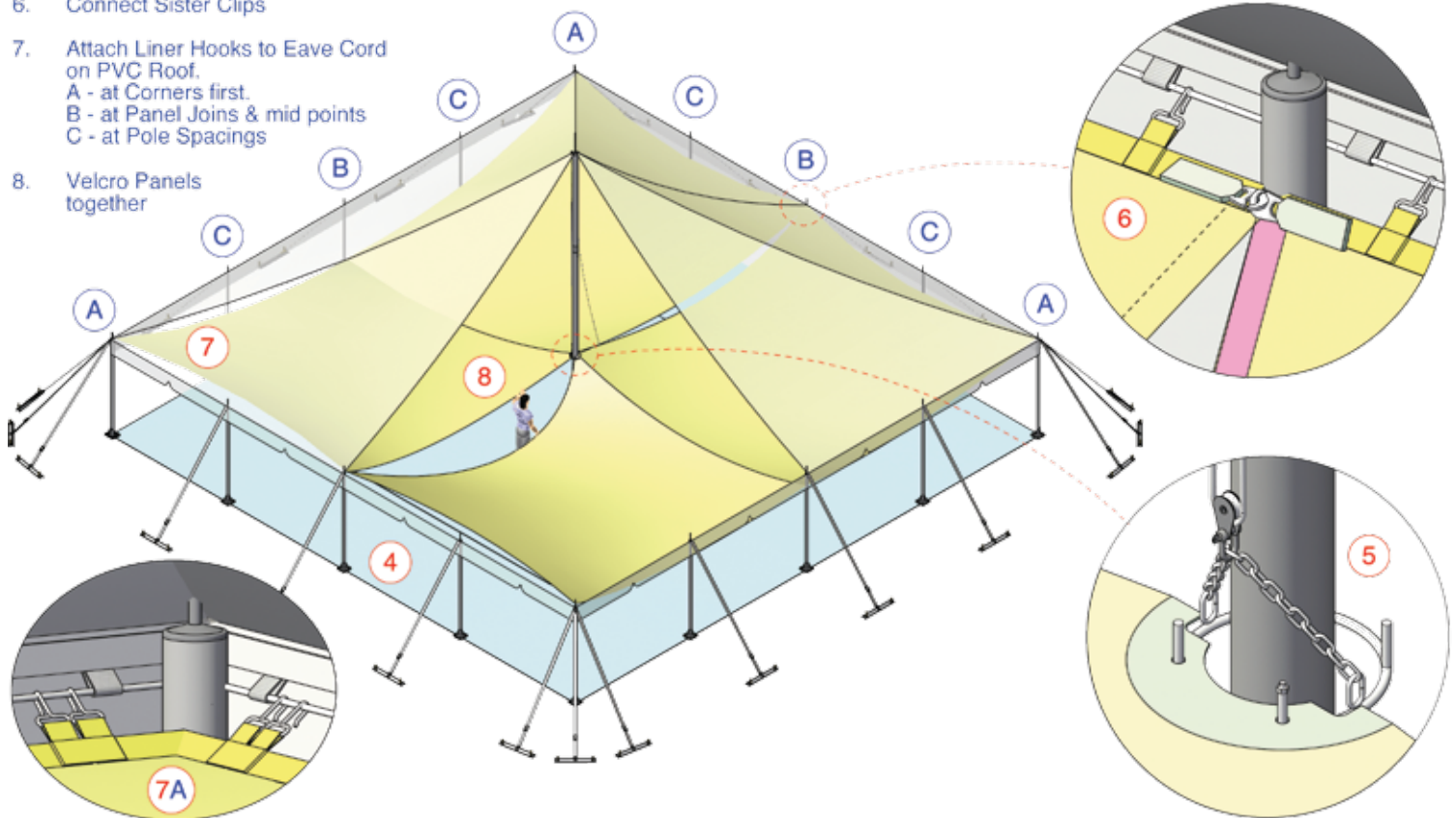
# Electron Lining - Pair of Ends

1. Attach Pole Saddle on Pole top before Tent Roof PVC Install.
2. Connect Bail Ring around Pole. Check Knots & Shackles.
3. Lower Bail Ring to a working height. approx. 1.8m

Erect & Tension  
Main Tent Fabric

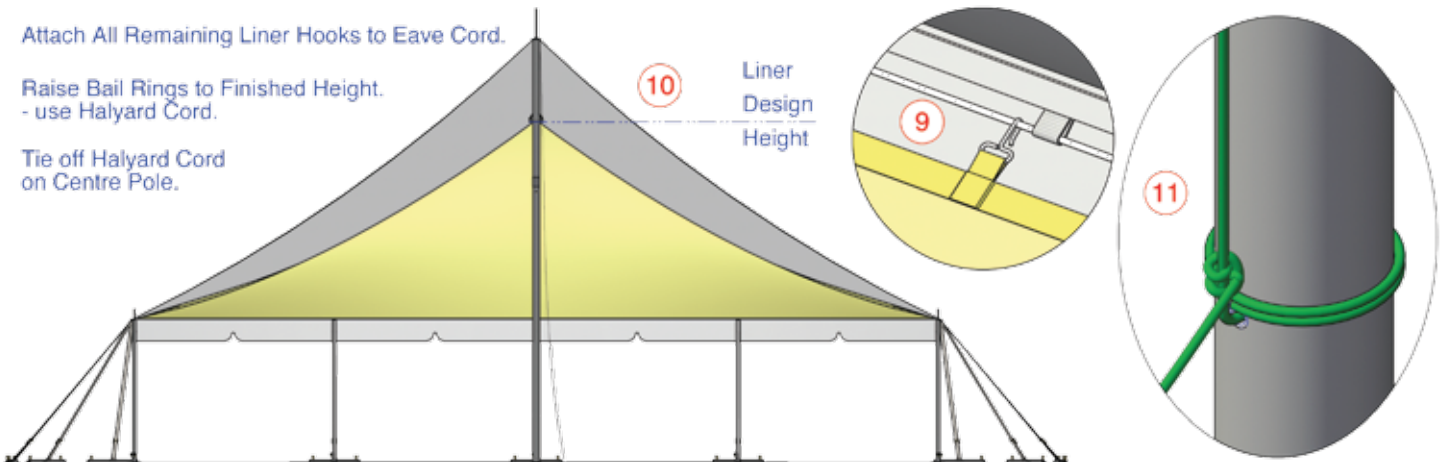


4. Layout Ground Cover
5. Attach Liner Panel Apex Patch to Bail Ring Pins
6. Connect Sister Clips
7. Attach Liner Hooks to Eave Cord on PVC Roof.  
A - at Corners first.  
B - at Panel Joins & mid points  
C - at Pole Spacings
8. Velcro Panels together



9. Attach All Remaining Liner Hooks to Eave Cord.
10. Raise Bail Rings to Finished Height. - use Halyard Cord.
11. Tie off Halyard Cord on Centre Pole.

Liner  
Design  
Height



# Electron Lining - Mid & Ends

1 Attach Pole Saddle on Pole top before Tent Roof PVC Install.

2 Connect Bail Ring around Pole.  
Check Knots & Shackles.

3 Lower Bail Ring to a working height, approx. 1.8m

**Erect & Tension Main Tent Fabric**

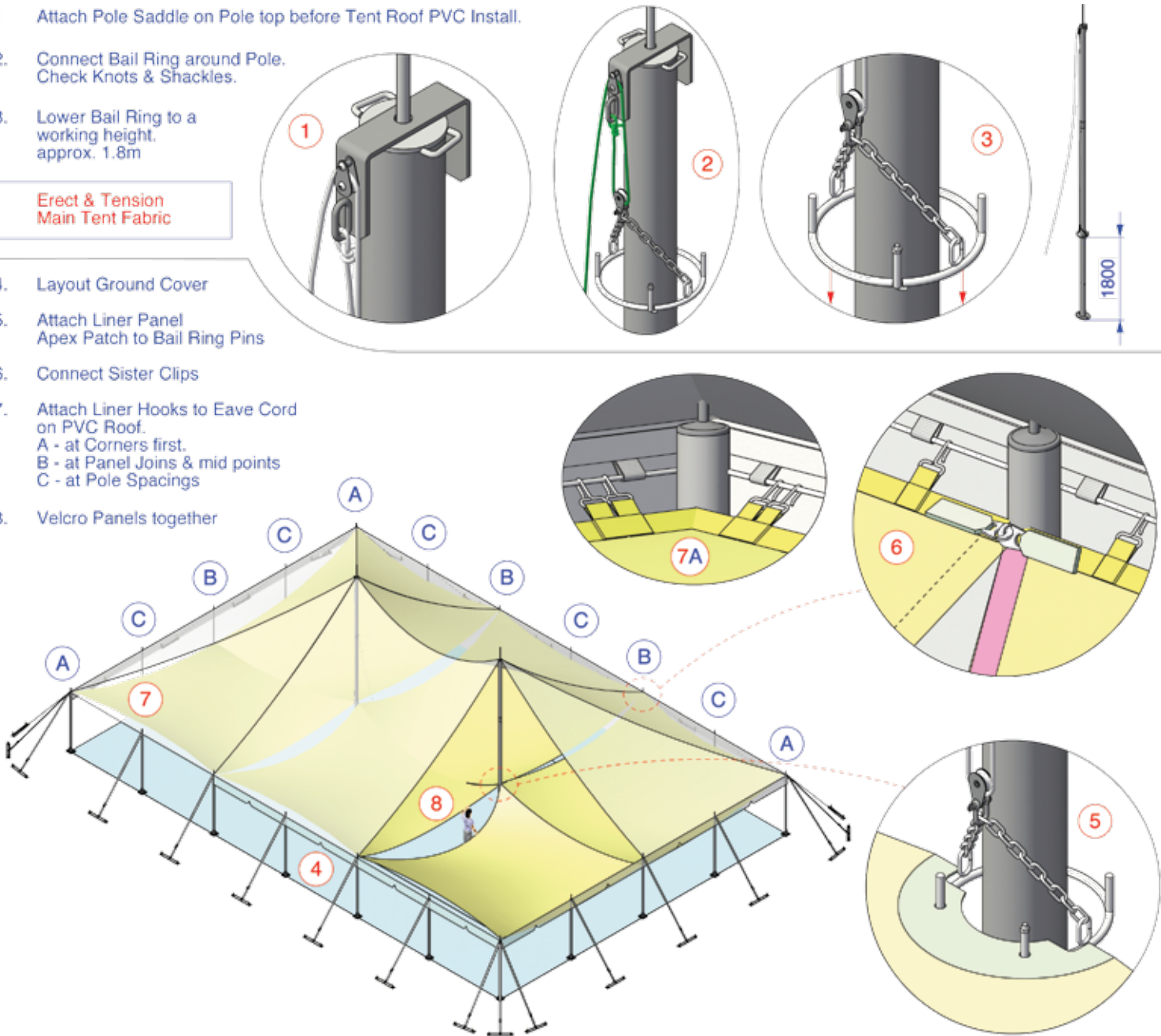
4 Layout Ground Cover

5 Attach Liner Panel Apex Patch to Bail Ring Pins

6 Connect Sister Clips

7 Attach Liner Hooks to Eave Cord on PVC Roof.  
A - at Corners first.  
B - at Panel Joins & mid points  
C - at Pole Spacings

8 Velcro Panels together

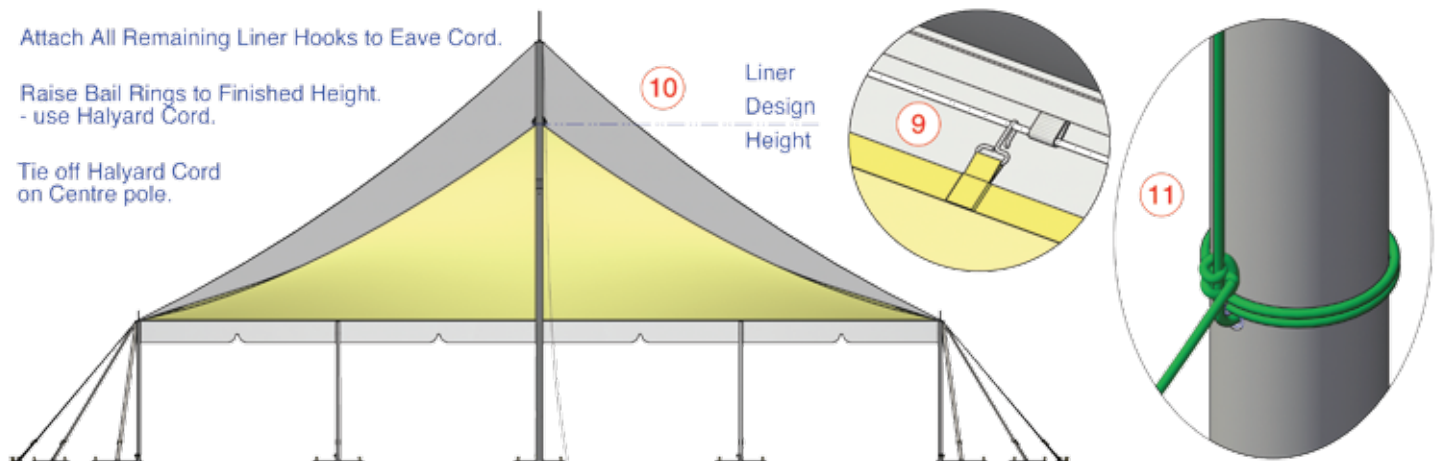


9 Attach All Remaining Liner Hooks to Eave Cord.

10 Raise Bail Rings to Finished Height.  
- use Halyard Cord.

11 Tie off Halyard Cord on Centre pole.

Liner Design Height



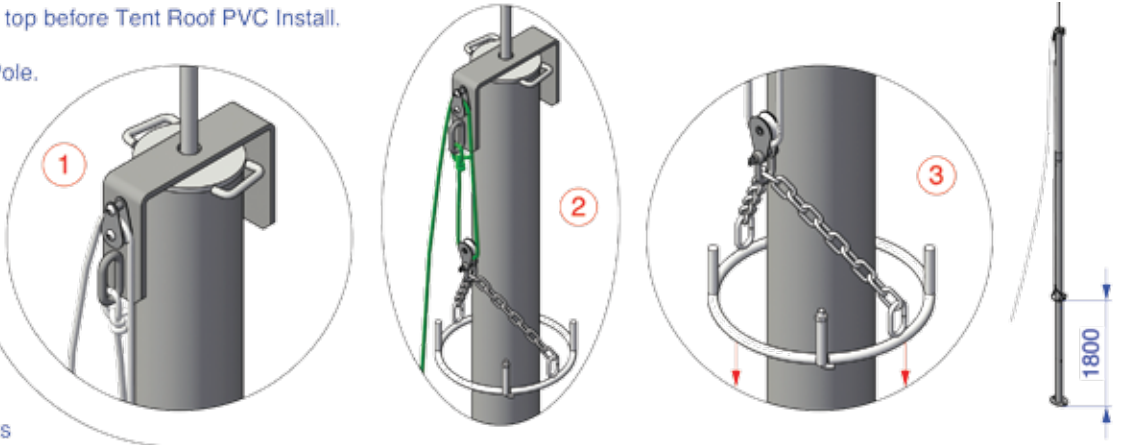
# Electron Lining - 2 Pole Mid & Ends

1 Attach Pole Saddle on Pole top before Tent Roof PVC Install.

2 Connect Bail Ring around Pole.  
Check Knots & Shackles.

3 Lower Bail Ring to a working height.  
approx. 1.8m

**Erect & Tension Main Tent Fabric**



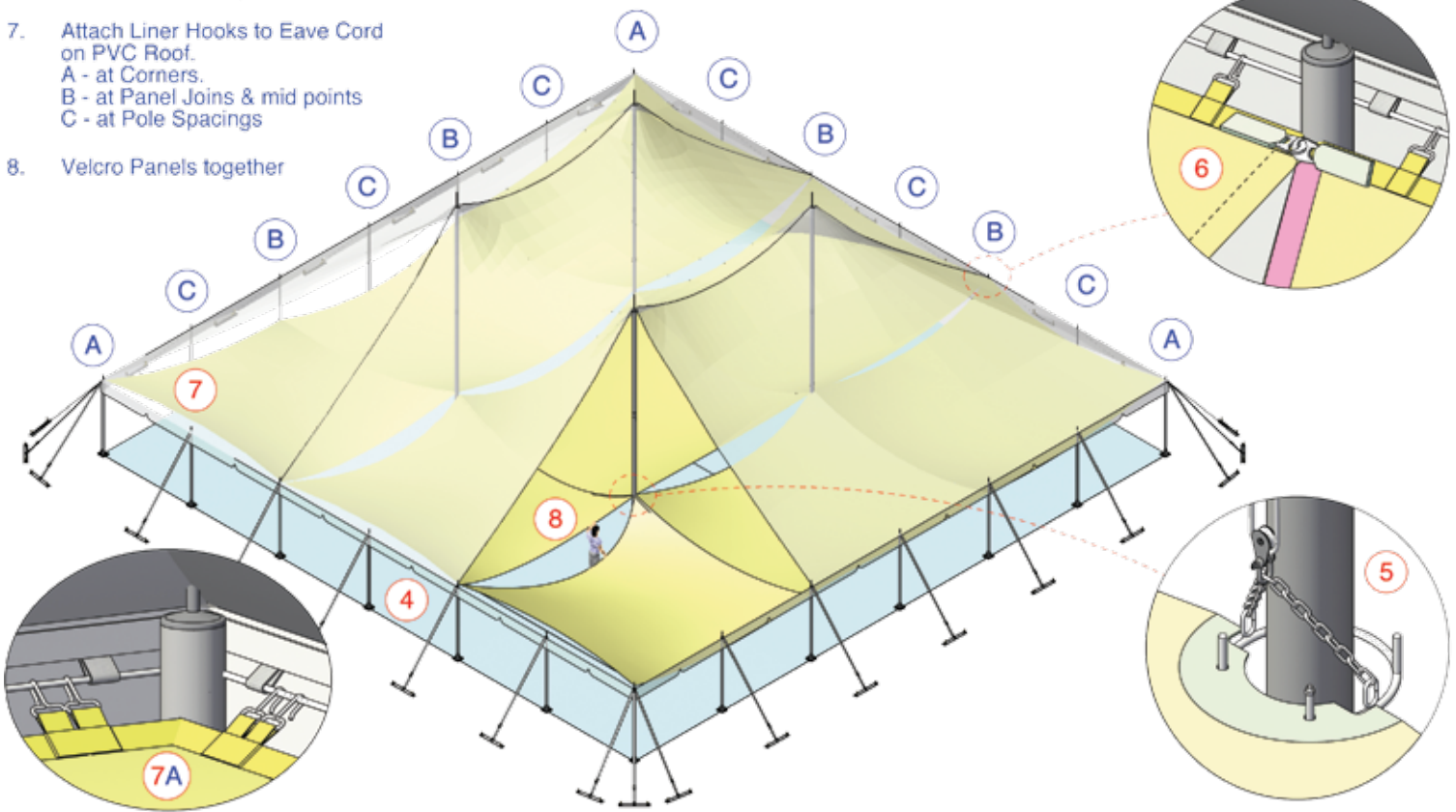
4 Layout Ground Cover

5 Attach Liner Panel Apex Patch to Bail Ring Pins

6 Connect Sister Clips

7 Attach Liner Hooks to Eave Cord on PVC Roof.  
A - at Corners.  
B - at Panel Joins & mid points  
C - at Pole Spacings

8 Velcro Panels together



9 Attach All Remaining Liner Hooks to Eave Cord.

10 Raise Bail Rings to Finished Height.  
- use Halyard Cord

11 Tie off Halyard Cord on Centre Pole.

