

# P1

## Lining Instructions

---



SIMPLICITY · PERFORMANCE · STYLE

---

### New Zealand

52 Newton Street,  
PO Box 4370, Mount Maunganui  
New Zealand

tel +64 7 579 0190  
fax +64 7 579 0194  
[www.baytex.co.nz](http://www.baytex.co.nz)

### Australia

tel 02 4340 4144  
mob 0400 312 314

1a. Attach Halyard Pulley to Apex Fitting  
- use shackle

1b. Attach Halyard Pulley to Apex Purlin  
- use web Loop

2. Thread Halyard through  
Lifting Ring and Pulley

3. Thread Halyard through  
Knee Fitting



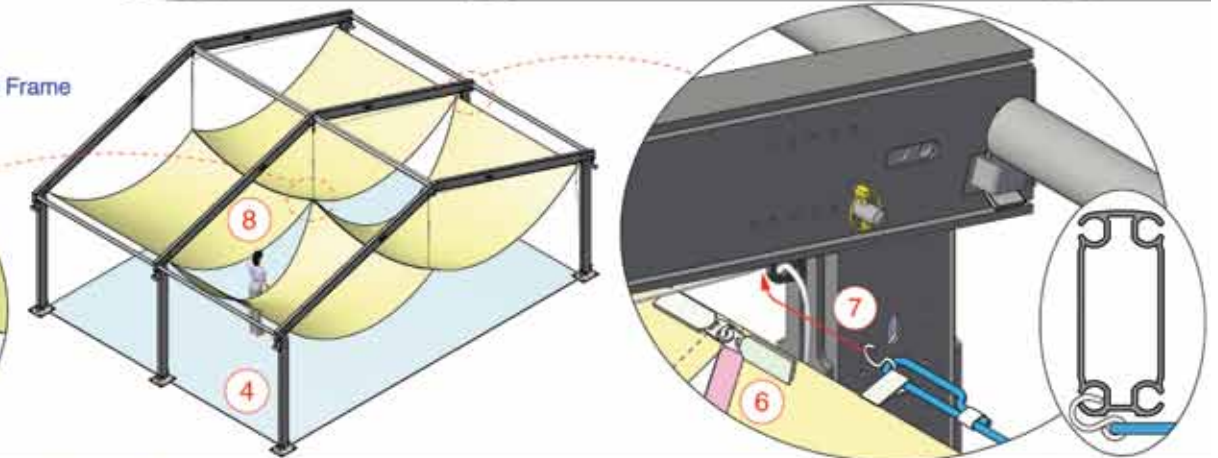
4. Layout Ground Cover

5. Attach Panel Apex Patch  
to Lifting Ring

6. Connect Sister Clips

7. Pull Liner out to Eave  
- Attach Bungy Hook to Frame

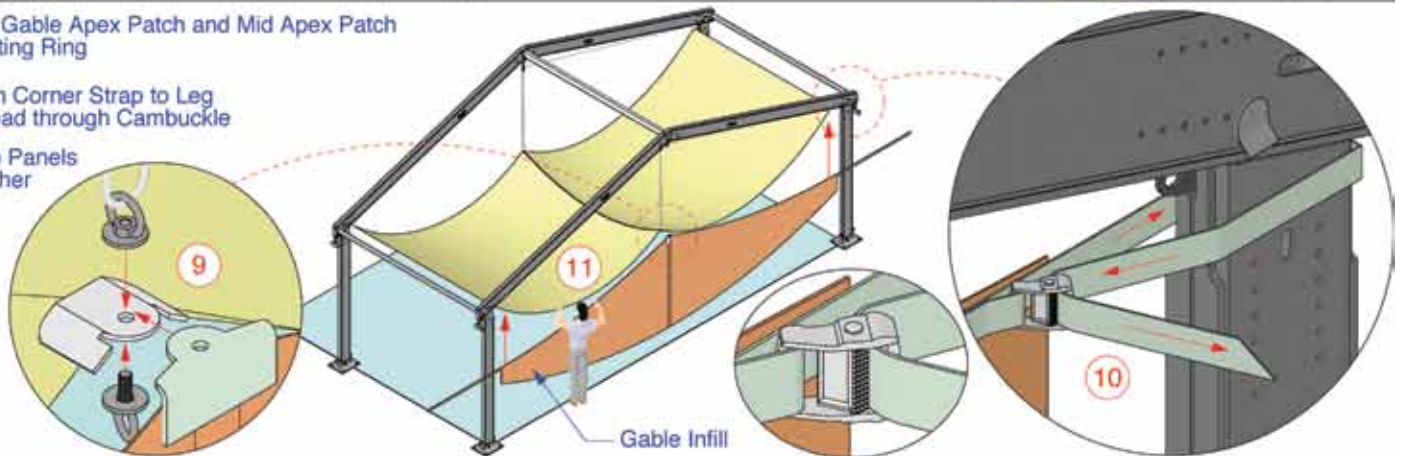
8. Velcro Panels together



9. Attach Gable Apex Patch and Mid Apex Patch  
to Lifting Ring

10. Fasten Corner Strap to Leg  
- thread through Cambuckle

11. Velcro Panels  
together

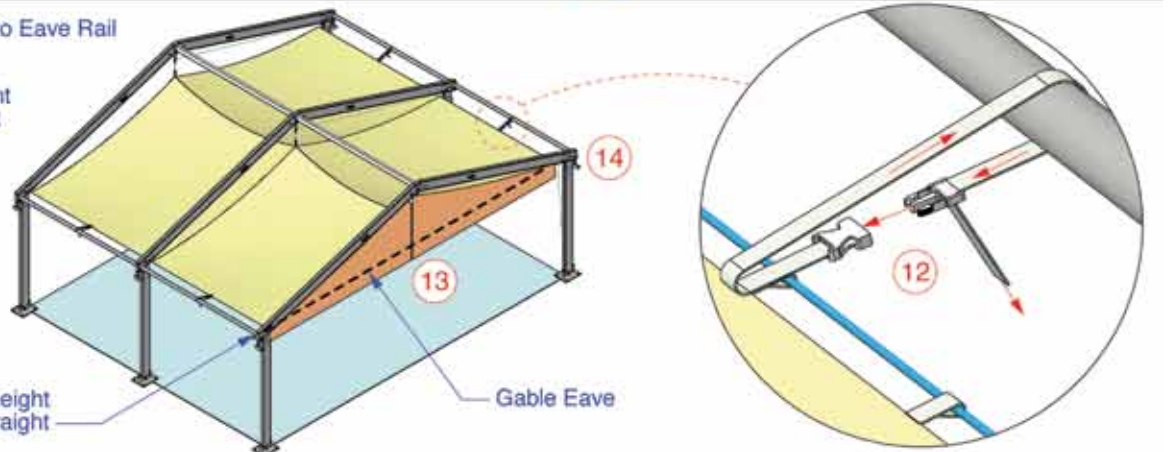


12. Attach Side Release Buckle to Eave Rail  
and tension

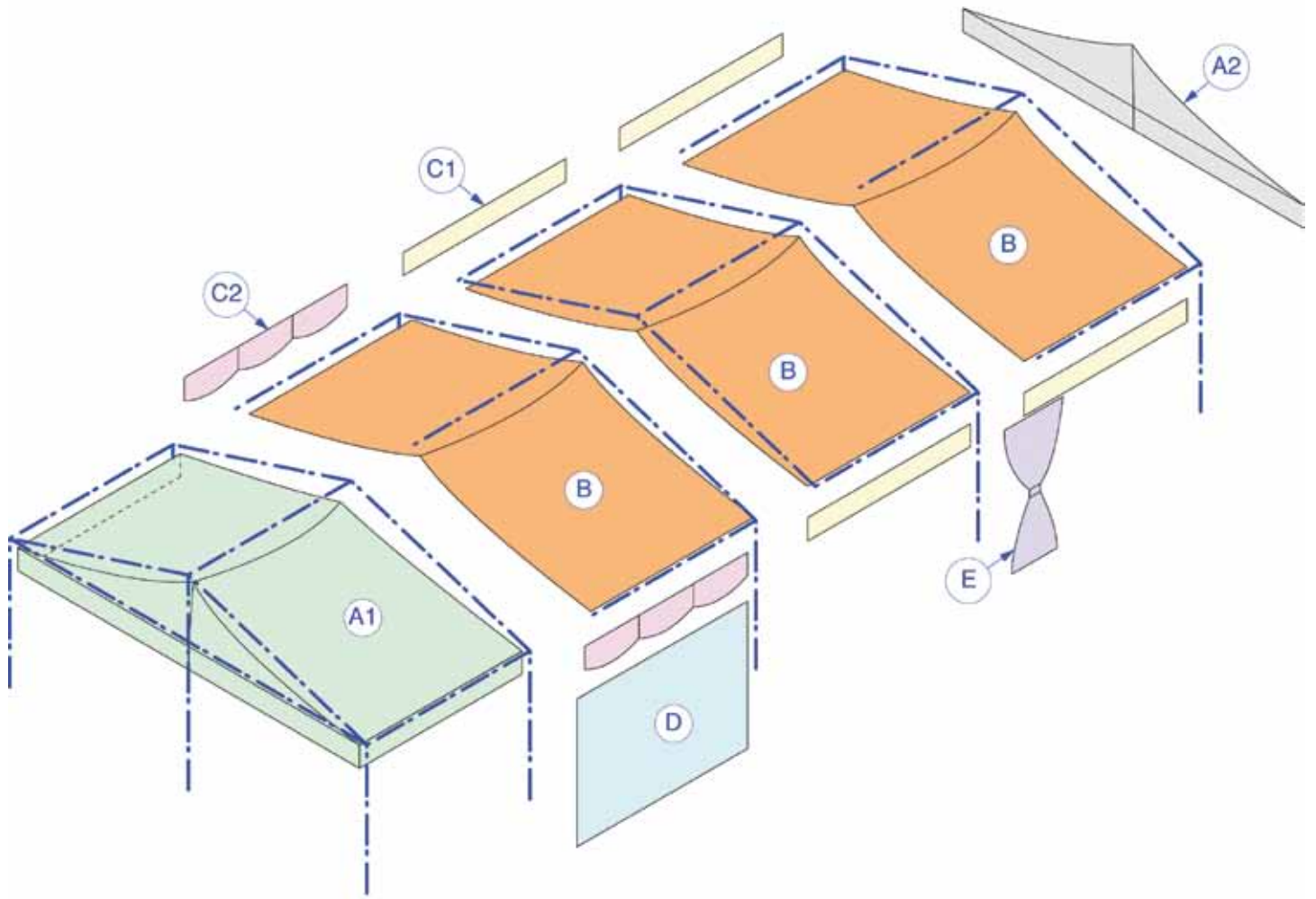
13. Raise Liner to Finished Height  
-Gable Eave Line is Straight

14. Tie Up Halyards at Eave  
-out of sight

When Lining is set at correct height  
Gable Eave Line is taut and straight



# Parts Guide



| <b>P1 Liner: Components</b> |                            |
|-----------------------------|----------------------------|
| <b>Ref.</b>                 | <b>Part Name</b>           |
| A1                          | Gable End Starter          |
| A2                          | Gable Infill - One Piece   |
| B                           | Mid                        |
| C1                          | Detachable Valance - Std   |
| C2                          | Detachable Valance - Swage |
| D                           | Wall                       |
| E                           | Leg Drape                  |