

CLIPFRAME 9m & 10m

Lining Instructions



SIMPLICITY · PERFORMANCE · STYLE

New Zealand

52 Newton Street,
PO Box 4370, Mount Maunganui
New Zealand

tel +64 7 579 0190
fax +64 7 579 0194
www.baytex.co.nz

Australia

tel 02 4340 4144
mob 0400 312 314

Gable End Lining Instructions

1a.* Attach Halyard Pulley to Apex Fitting
- use shackle

1b.* Attach Halyard Pulley to Apex Purlin
- use web Loop

* Attach to Frame before Standing Portal or use Ladder after

2. Thread Halyard through Lifting Ring and Pulley

3. Thread Halyard over Eave Knee Fitting



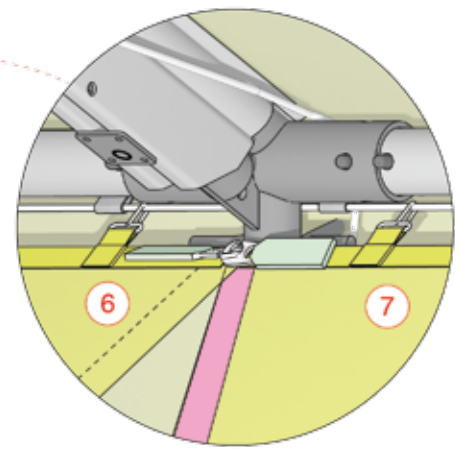
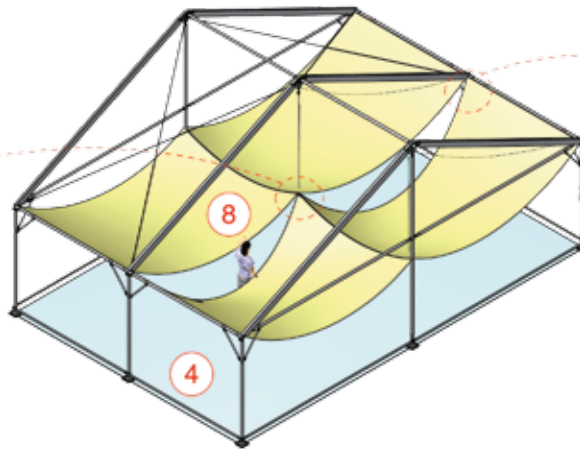
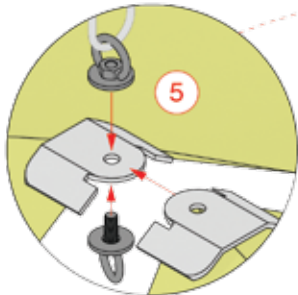
4. Layout Ground Cover

5. Attach Panel Apex Patch to Lifting Ring

6. Connect Sister Clips

7. Attach Liner Hooks to Eave Cord
- at each Leg

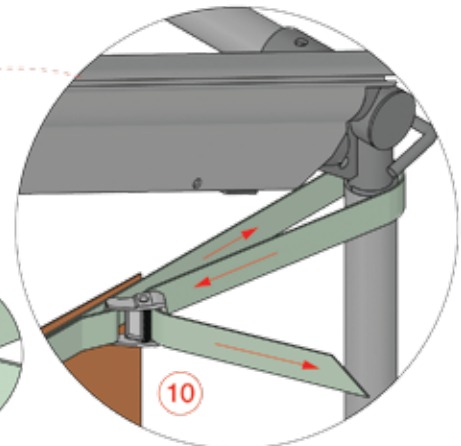
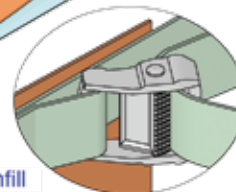
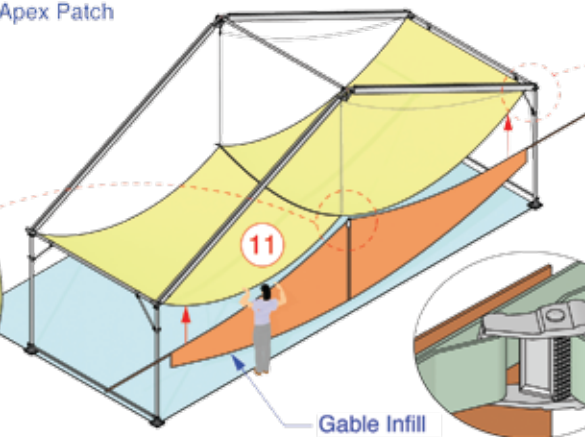
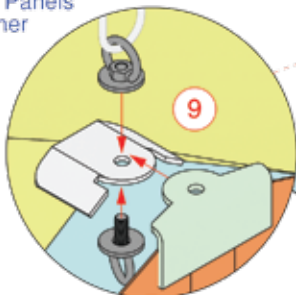
8. Velcro Panels together



9. Attach Gable Apex Patch and Mid Apex Patch to Lifting Ring

10. Fasten Corner Strap to Leg
- thread through Cambuckle

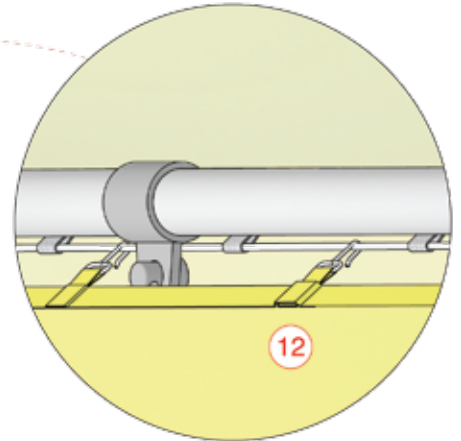
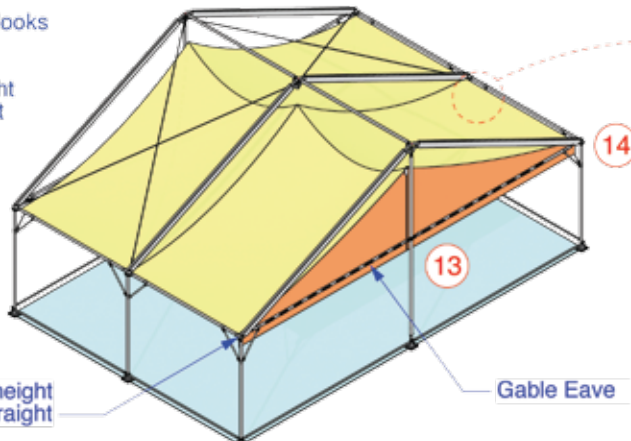
11. Velcro Panels together



12. Attach All Remaining Liner Hooks to Eave Cord.

13. Raise Liner to Finished Height
-Gable Eave Line is Straight

14. Tie Up Halyards at Eave
-out of sight



When Lining is set at correct height Gable Eave Line is taut and straight

Hip End Lining Instructions

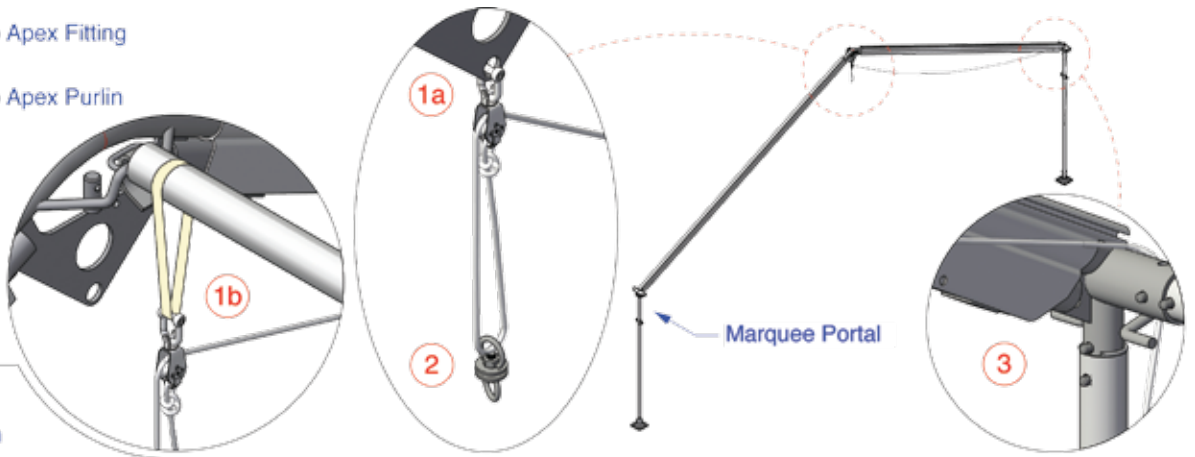
1a.* Attach Halyard Pulley to Apex Fitting
- use shackle

1b.* Attach Halyard Pulley to Apex Purlin
- use web Loop

* Attach to Frame before Standing Portal or use Ladder after

2. Thread Halyard through Lifting Ring and Pulley

3. Thread Halyard over Eave Knee Fitting



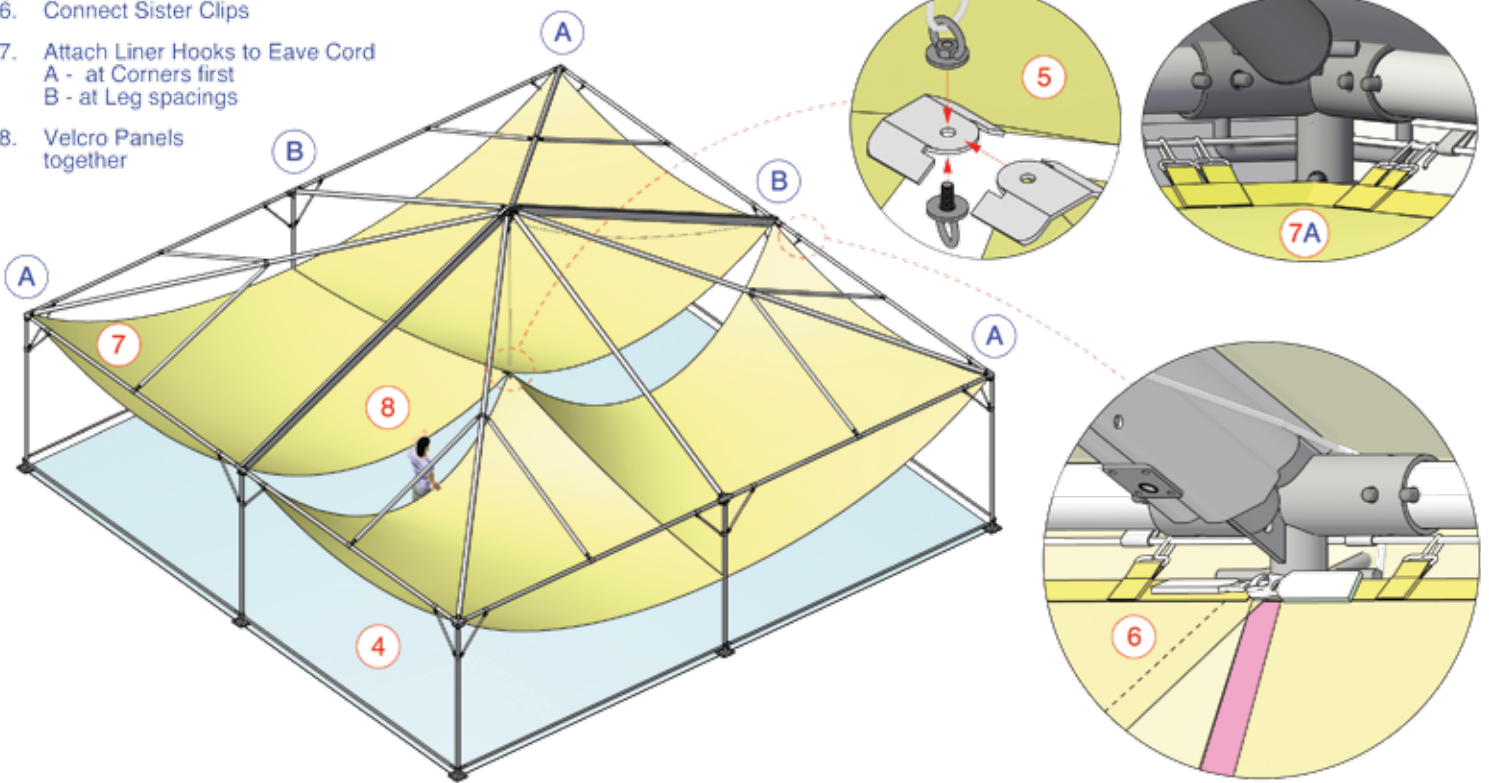
4. Layout Ground Cover

5. Attach Panel Apex Patch to Lifting Ring

6. Connect Sister Clips

7. Attach Liner Hooks to Eave Cord
A - at Corners first
B - at Leg spacings

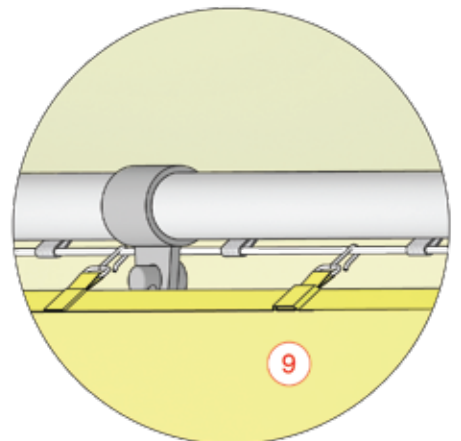
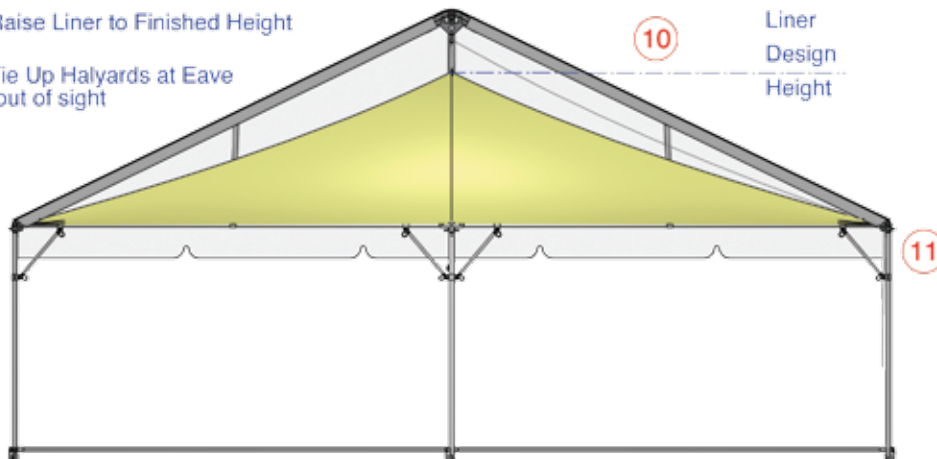
8. Velcro Panels together



9. Attach All Remaining Liner Hooks to Eave Cord.

10. Raise Liner to Finished Height

11. Tie Up Halyards at Eave
-out of sight



Clipframe Lining Mid & Hip Ends

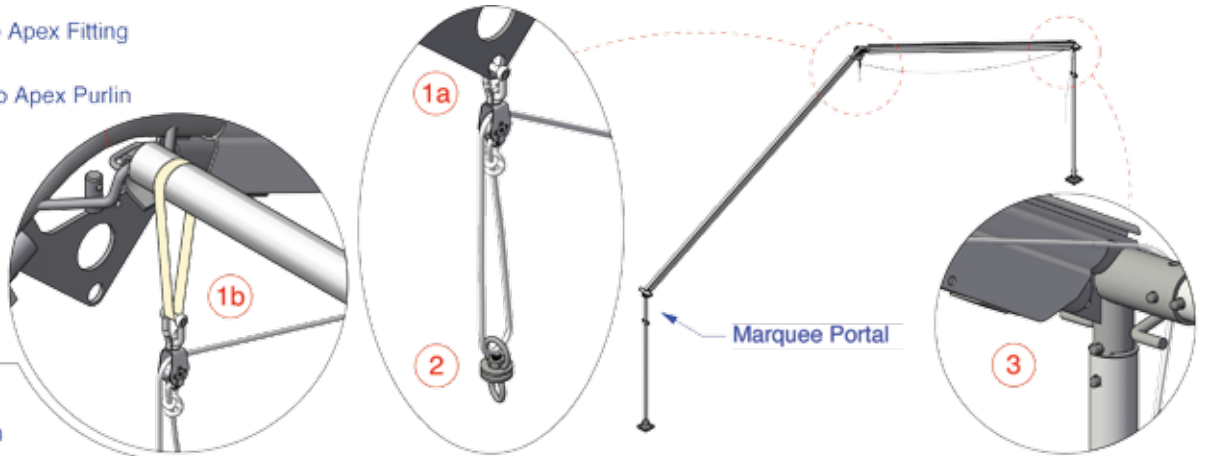
1a.* Attach Halyard Pulley to Apex Fitting
- use shackle

1b.* Attach Halyard Pulley to Apex Purlin
- use web Loop

* Attach to Frame before Standing Portal or use Ladder after

2. Thread Halyard through Lifting Ring and Pulley

3. Thread Halyard over Eave Knee Fitting



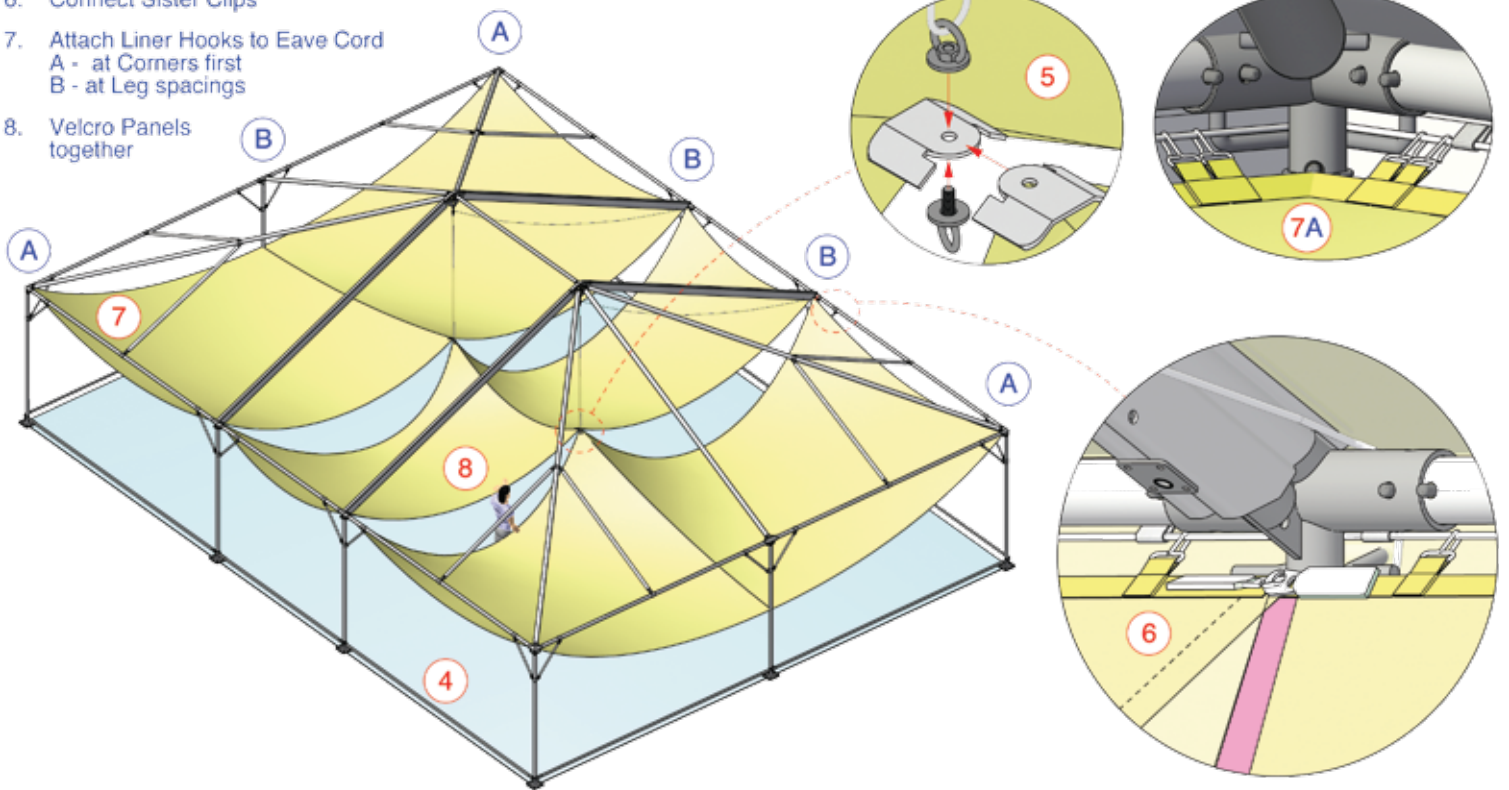
4. Layout Ground Cover

5. Attach Panel Apex Patch to Lifting Ring

6. Connect Sister Clips

7. Attach Liner Hooks to Eave Cord
A - at Corners first
B - at Leg spacings

8. Velcro Panels together



9. Attach All Remaining Liner Hooks to Eave Cord.

10. Raise Liner to Finished Height

11. Tie Up Halyards at Eave
-out of sight

Liner Design Height

