

CLIPFRAME 6m

Lining Instructions



SIMPLICITY · PERFORMANCE · STYLE

New Zealand

52 Newton Street,
PO Box 4370, Mount Maunganui
New Zealand

tel +64 7 579 0190
fax +64 7 579 0194
www.baytex.co.nz

Australia

tel 02 4340 4144
mob 0400 312 314

Gable End Lining Instructions

1a.* Attach Halyard Pulley to Apex Fitting
- use shackle

1b.* Attach Halyard Pulley to Apex Purlin
- use web Loop

* Attach to Frame before
Standing Portal
or use Ladder after

2. Thread Halyard through
Lifting Ring and Pulley

3. Thread Halyard
through Knee Fitting

4. Layout Ground Cover

5. Attach Panel Apex Patch
to Lifting Ring

6. Connect Sister Clips

7. Attach Liner Hooks to Eave Cord
- at each Leg

8. Velcro Panels together

9. Attach Gable Apex Patch and Mid Apex Patch
to Lifting Ring

10. Fasten Corner Strap to Leg
- thread through Cambuckle

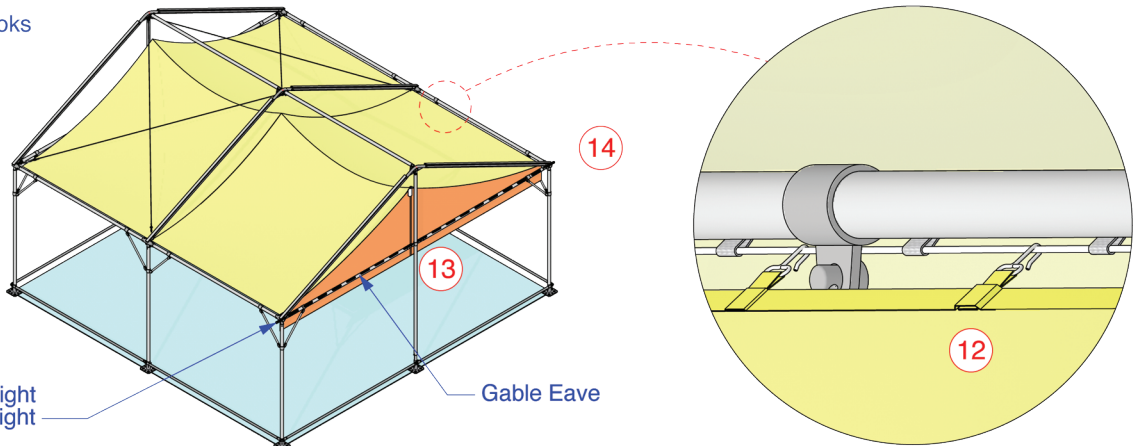
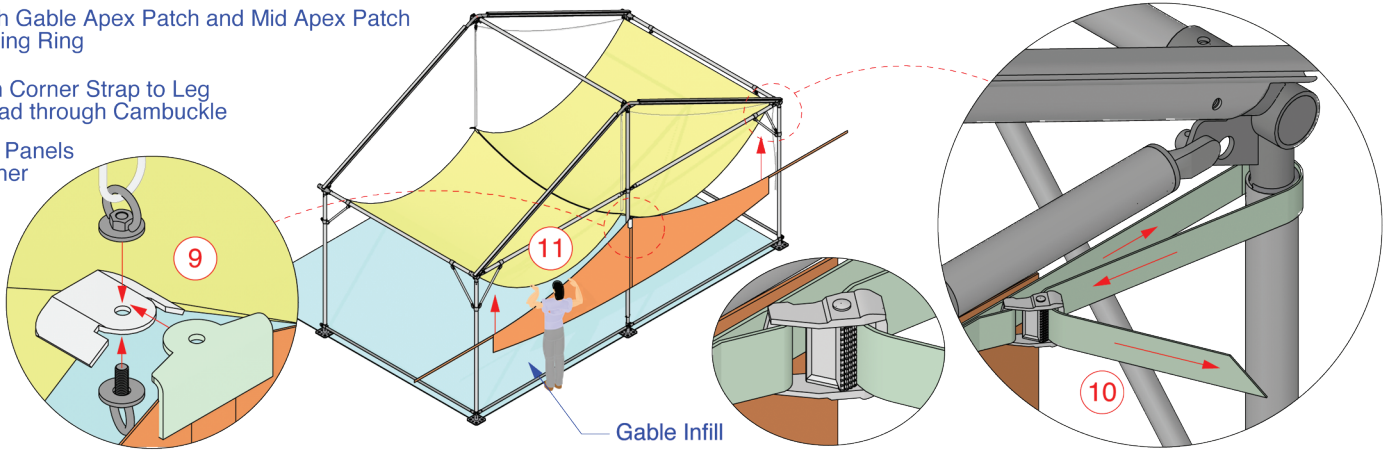
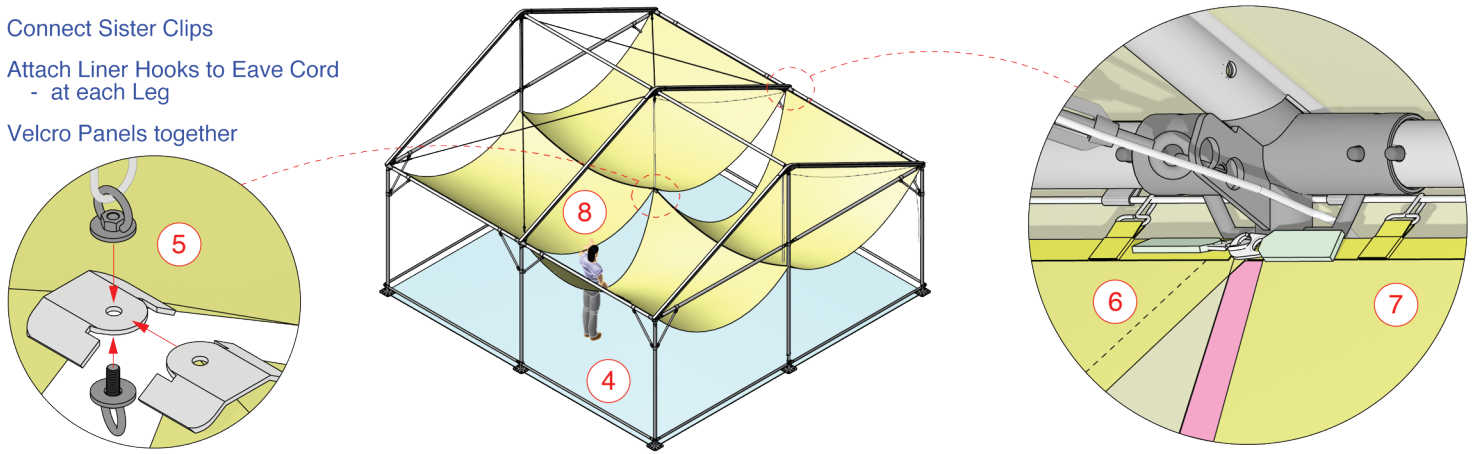
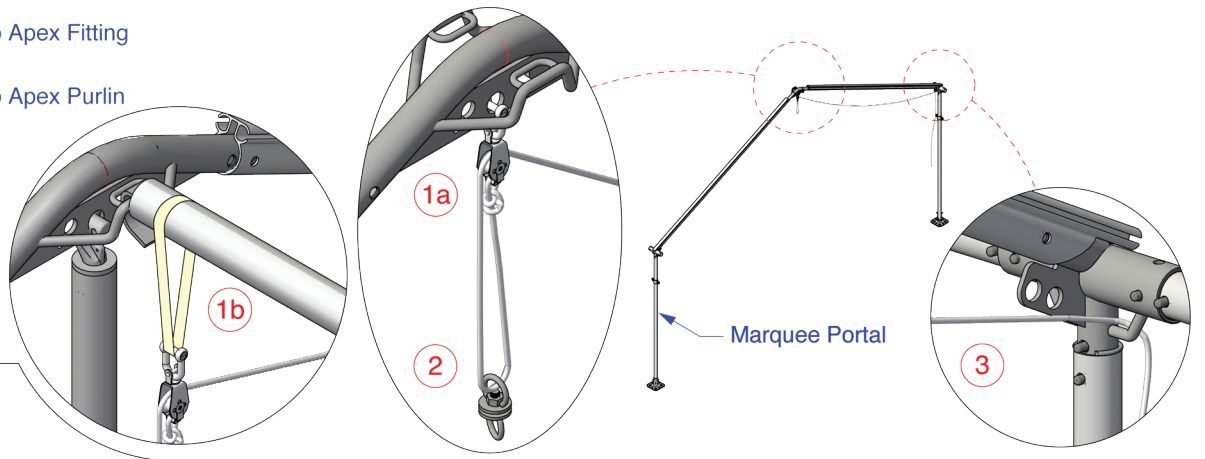
11. Velcro Panels
together

12. Attach All Remaining Liner Hooks
to Eave Cord.

13. Raise Liner to Finished Height
-Gable Eave Line is Straight

14. Tie Up Halyards at Eave
-out of sight

When Lining is set at correct height
Gable Eave Line is taut and straight



Hip End Lining Instructions

1a.* Attach Halyard Pulley to Apex Fitting
- use shackle

1b.* Attach Halyard Pulley to Apex Purlin
- use web Loop

* Attach to Frame before
Standing Portal
or uses Ladder after

2. Thread Halyard through
Lifting Ring and Pulley

3. Thread Halyard
through Knee Fitting

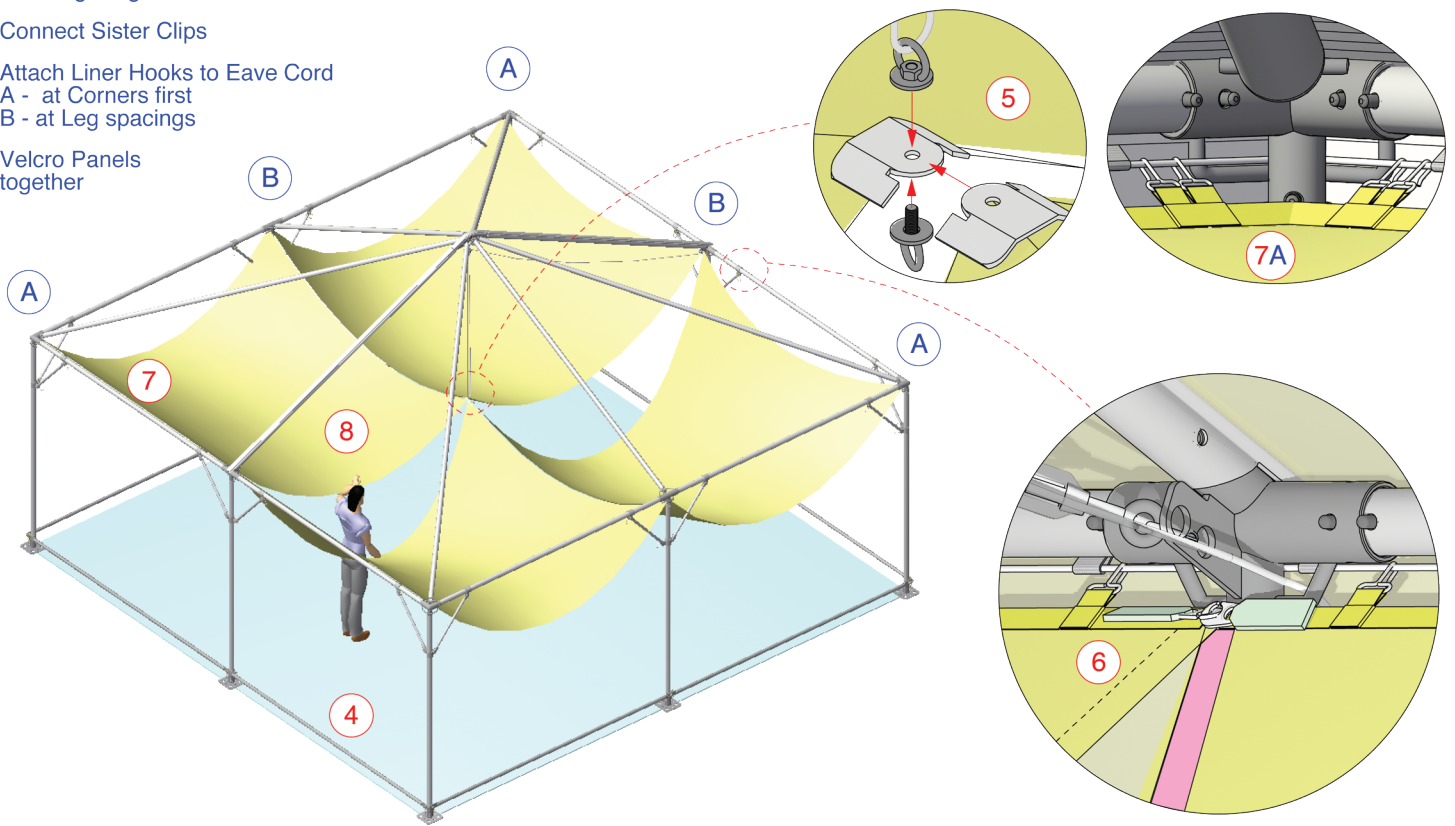
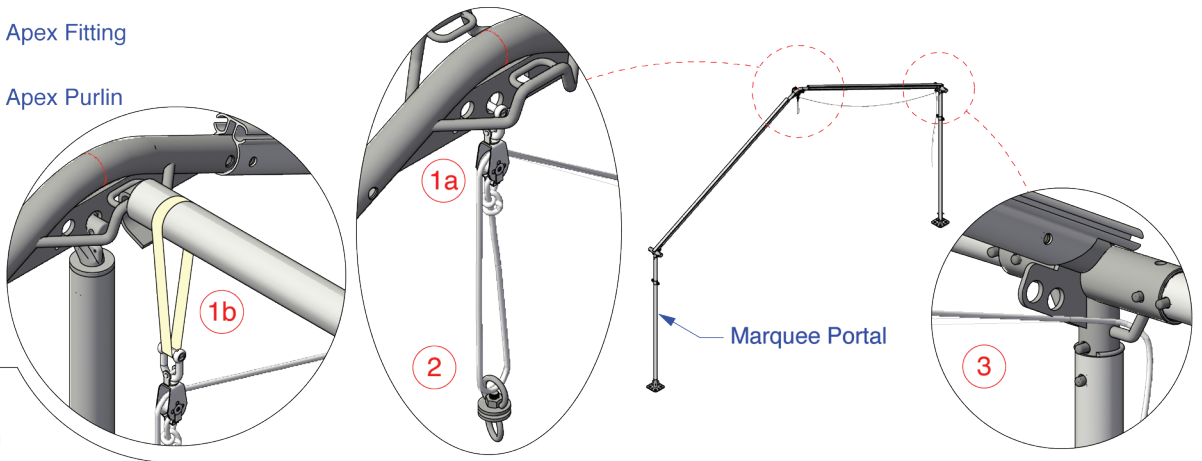
4. Layout Ground Cover

5. Attach Panel Apex Patch
to Lifting Ring

6. Connect Sister Clips

7. Attach Liner Hooks to Eave Cord
A - at Corners first
B - at Leg spacings

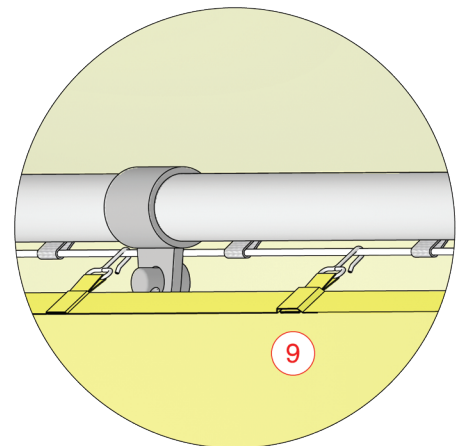
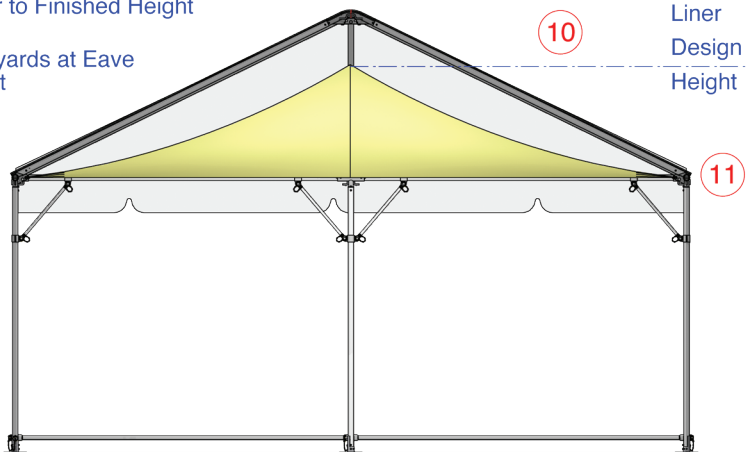
8. Velcro Panels
together



9. Attach All Remaining Liner Hooks to Eave Cord.

10. Raise Liner to Finished Height

11. Tie Up Halyards at Eave
-out of sight



Clipframe Lining 6m Mid & Hip Ends

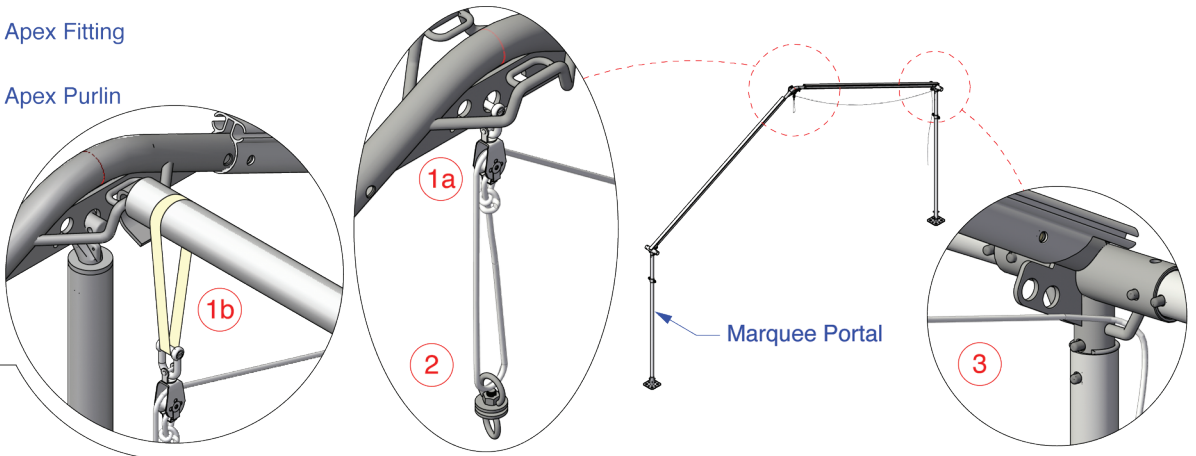
1a.* Attach Halyard Pulley to Apex Fitting
- use shackle

1b.* Attach Halyard Pulley to Apex Purlin
- use web Loop

* Attach to Frame before
Standing Portal
or use Ladder after

2. Thread Halyard through
Lifting Ring and Pulley

3. Thread Halyard
through Knee Fitting



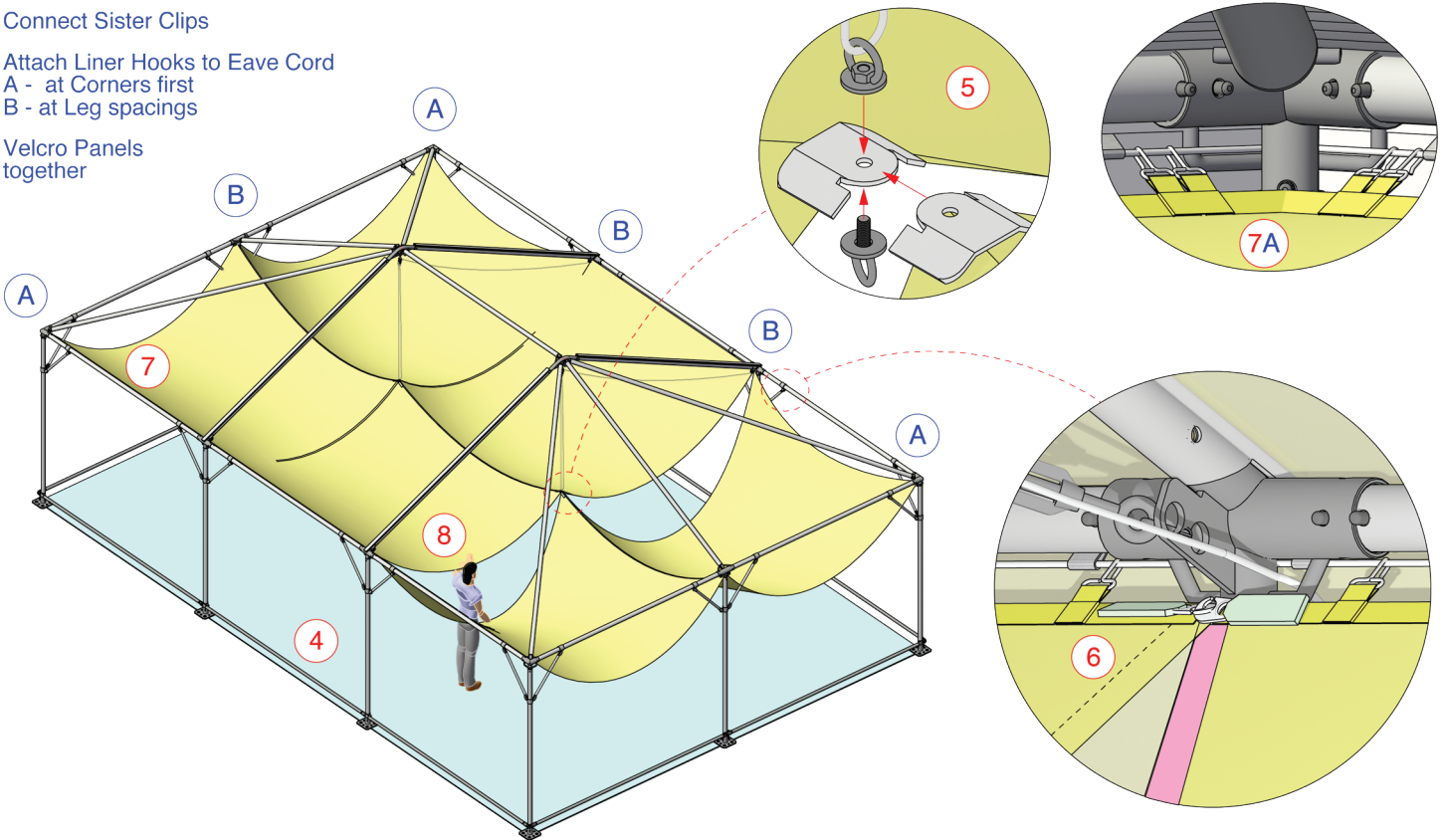
4. Layout Ground Cover

5. Attach Panel Apex Patch
to Lifting Ring

6. Connect Sister Clips

7. Attach Liner Hooks to Eave Cord
A - at Corners first
B - at Leg spacings

8. Velcro Panels
together



9. Attach All Remaining Liner Hooks to Eave Cord.

10. Raise Liner to Finished Height

11. Tie Up Halyards at Eave
-out of sight

