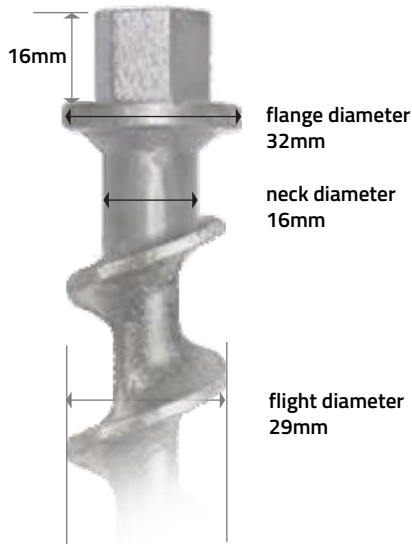
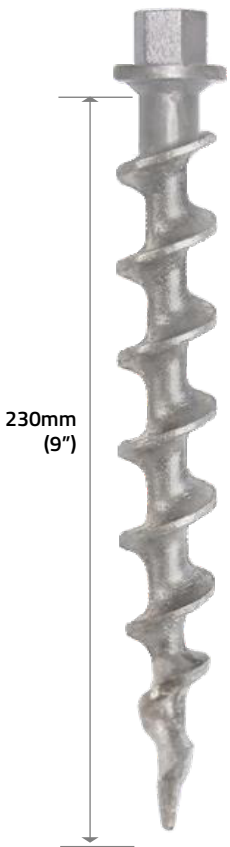
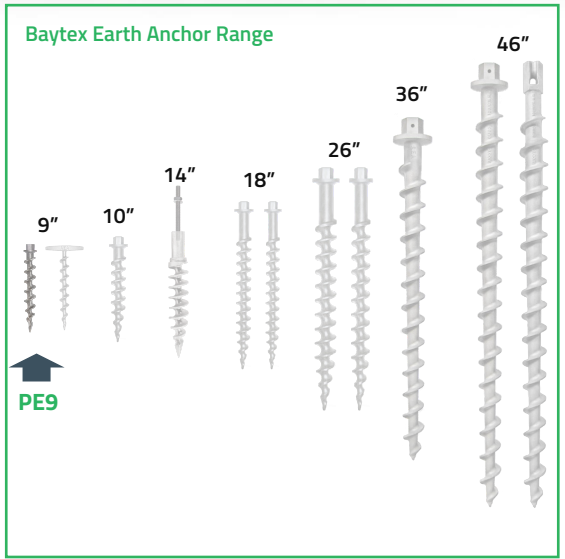


# PE9 specifications

- Aircraft-quality cast aluminium 356 alloy
- Heat-treated to T6 specification
- Install with 3/4" socket
- Removable

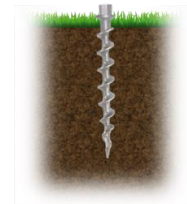


socket size 3/4"



6-point socket (instead of a 12-point socket) will minimise wear and rounding of hex head for repeated installation/removal

LOAD CAPACITY ↑  
Pullout strength with flight fully embedded



SOIL CLASS

1	hardpan/asphalt/clay	1.78 kN (181 kg)
2	Cohesive soil	0.89 kN (91 kg)
3	Medium density soil	0.44 kN (45 kg)
4	Loose med-to-fine sand	0.44 kN less than (45 kg)
5	Loose fine uncompacted sand	0.44 kN less than (45 kg)

PE9  
23cm (9")

## Earth Anchors - PE9

SIMPLICITY · PERFORMANCE · STYLE

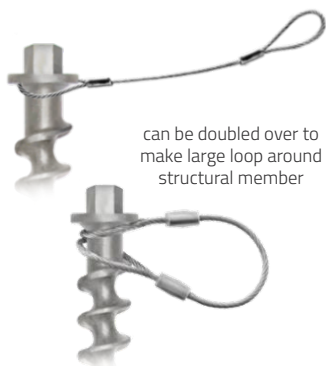


# PE9 installation



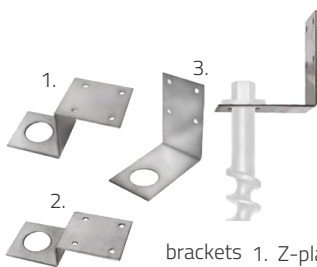
can be installed with impact wrench

## accessories sold separately



can be doubled over to  
make large loop around  
structural member

10" Tie-off cable



brackets 1. Z-plate 4x4  
2. Z-plate 4x2  
3. L-bracket

## application suggestions



beach shelter



pop-up tents



bench seats/outdoor  
furniture



awnings



trampolines

### New Zealand

52 Newton Street,  
PO Box 4370, Mount Maunganui  
New Zealand

### Australia

tel +64 7 579 0190 tel 02 4340 4144  
fax +64 7 579 0194 www.baytex.co.nz mob 0400 312 314  
co.nz

