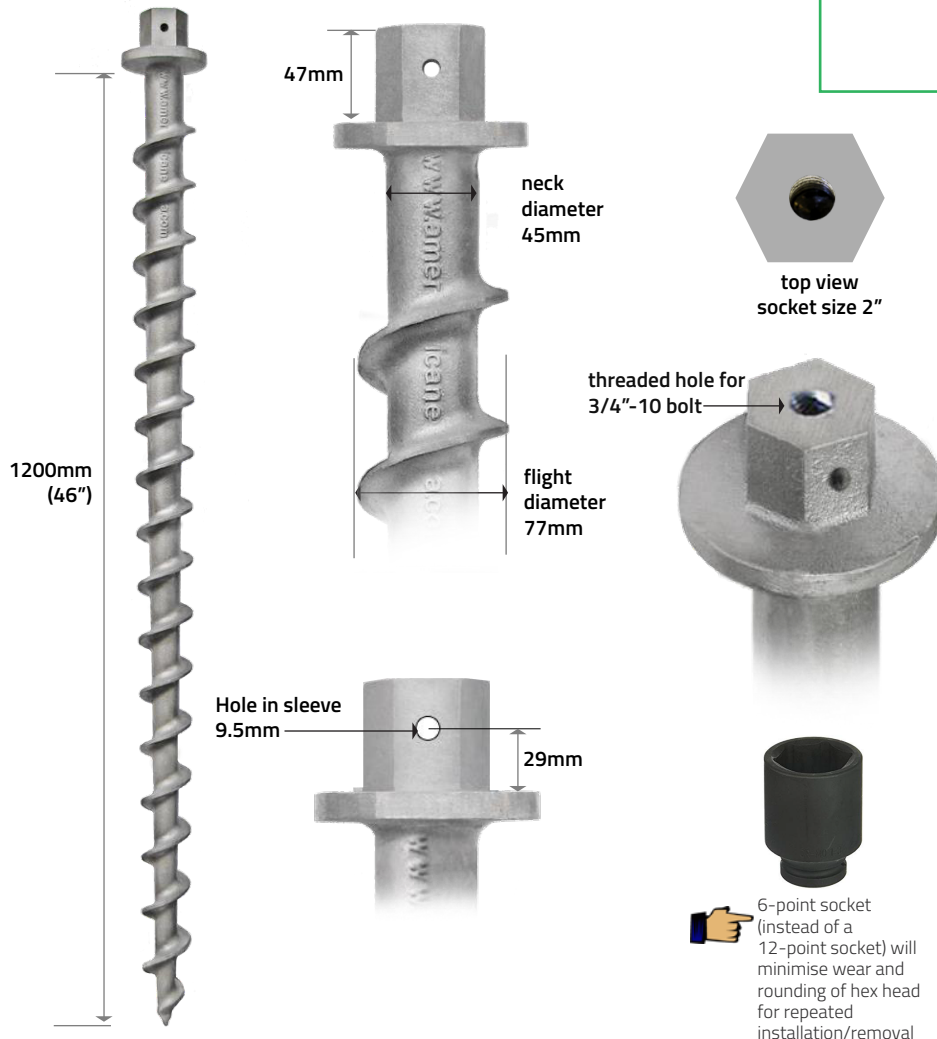
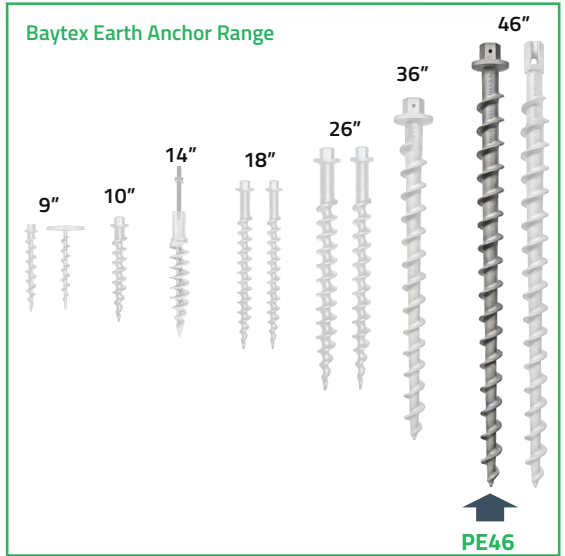


PE46-Hex specifications

- Aircraft-quality cast aluminium 356 alloy
- Heat-treated to T6 specification
- Install with 2" socket
- Removable



LOAD CAPACITY ↑
Pullout strength with flight fully embedded



- SOIL CLASS**
- 1 hardpan/asphalt/clay
 - 2 Cohesive soil
 - 3 Medium density soil
 - 4 Loose med-to-fine sand
 - 5 Loose fine uncompacted sand

PE46-Hex
1.2m (46")

- 62.3 kN (6351 kg)
- 42.3 kN (4312 kg)
- 14.7 kN (1498kg)
- 8.90 kN (907 kg)
- 4.89 kN (498 kg)

Earth Anchors - PE46-Hex

SIMPLICITY · PERFORMANCE · STYLE

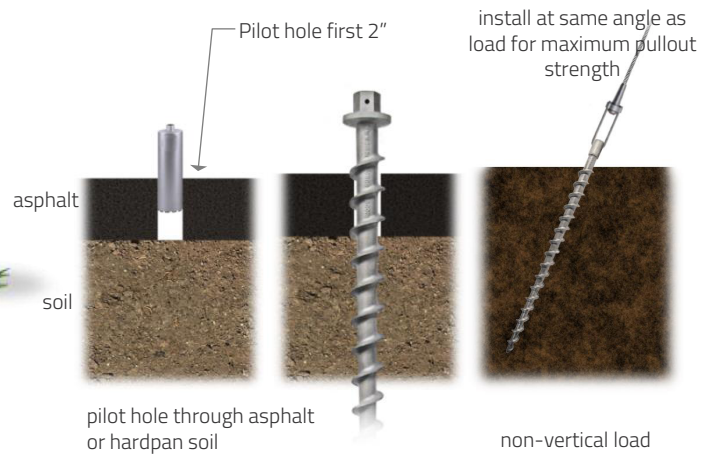


PE46-Hex installation



Power take-off

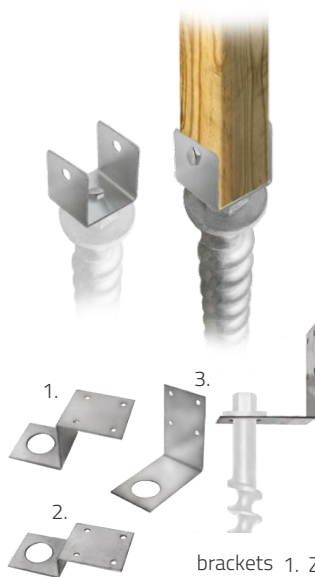
Pre drill pilot hole with impact wrench (this determines holding power). Earth Anchor can then be installed.



accessories sold separately



15" Tie-off cable can be doubled over to make a large loop around structural member



brackets 1. Z-plate 4x4
2. Z-plate 4x2
3. L-bracket



application suggestions



New Zealand

52 Newton Street,
PO Box 4370, Mount Maunganui
New Zealand

tel +64 7 579 0190
fax +64 7 579 0194
www.baytex.co.nz

Australia

tel 02 4340 4144
mob 0400 312 314

