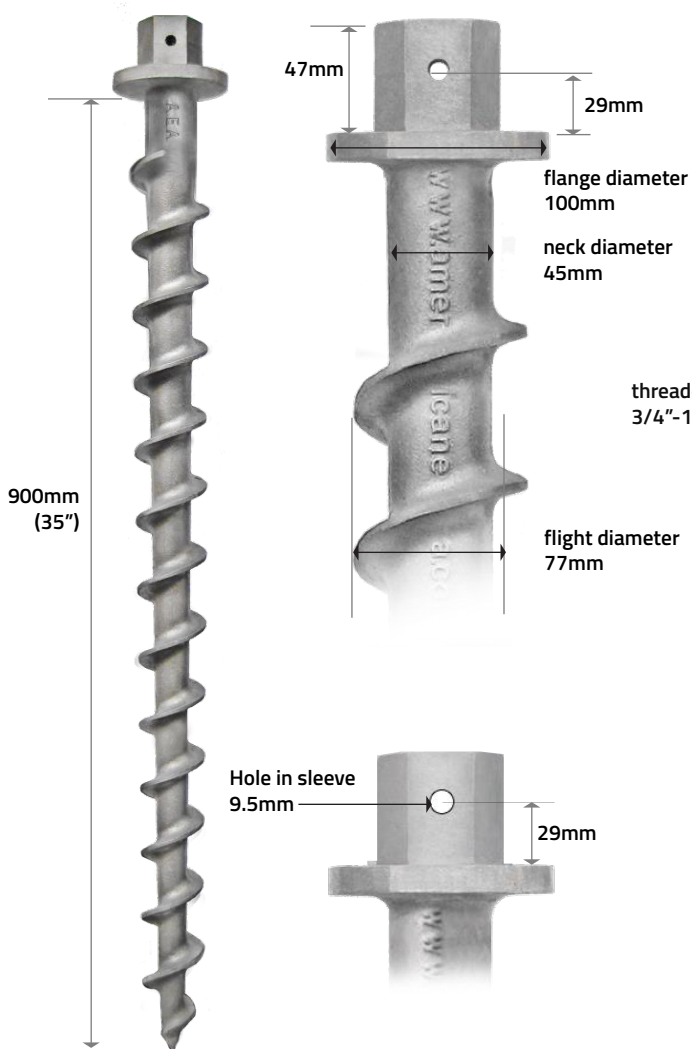
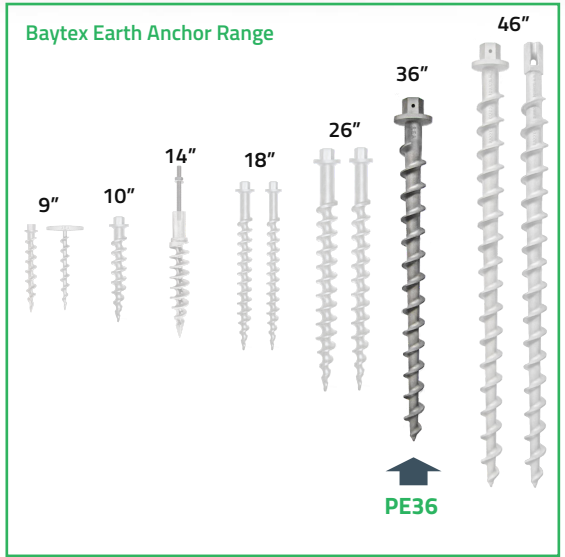


PE36 specifications

- Aircraft-quality cast aluminium 356 alloy
- Heat-treated to T6 specification
- Install with 2" socket
- Removable



6-point socket (instead of a 12-point socket) will minimise wear and rounding of hex head for repeated installation/removal

LOAD CAPACITY ↑
Pullout strength with flight fully embedded



SOIL CLASS	LOAD CAPACITY
1 hardpan/asphalt/clay	37.4 kN (3814 kg)
2 Cohesive soil	26.9 kN (2743 kg)
3 Medium density soil	9.34 kN (952 kg)
4 Loose med-to-fine sand	4.45 kN (453 kg)
5 Loose fine uncompacted sand	1.56 kN (159 kg)

PE36
90cm (36")

Earth Anchors - PE36

SIMPLICITY · PERFORMANCE · STYLE

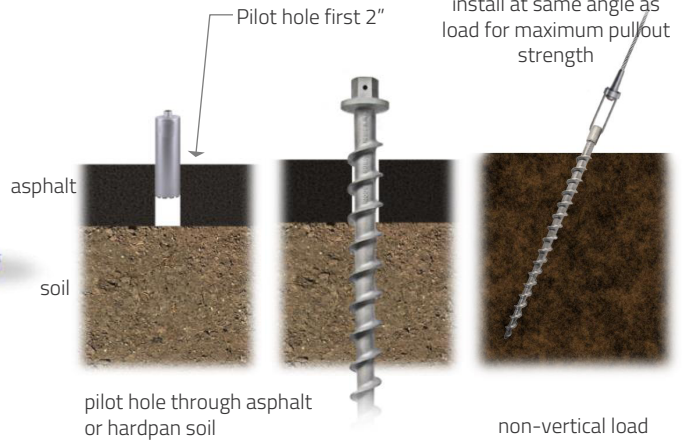


PE36 installation



Power take-off

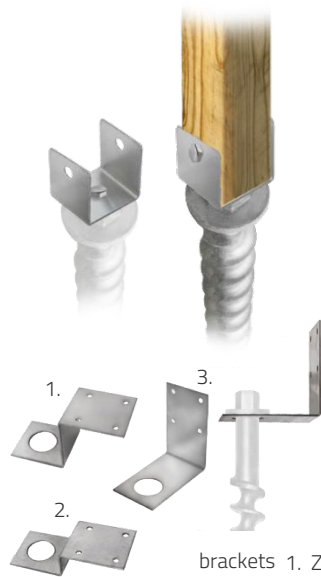
Pre drill pilot hole with impact wrench (this determines holding power). Earth Anchor can then be installed.



Accessories sold separately



15" Tie-off cable can be doubled over to make a large loop around structural member



brackets 1. Z-plate 4x4
2. Z-plate 4x2
3. L-bracket



application suggestions



tanks



walkway covers



construction trailers

New Zealand

52 Newton Street,
PO Box 4370, Mount Maunganui
New Zealand

tel +64 7 579 0190
fax +64 7 579 0194
www.baytex.co.nz

Australia

tel 02 4340 4144
mob 0400 312 314

